

INSTALLATION INSTRUCTIONS FOR 5646-732-L 5647-732-L 5648-732-L

For LED CHANDELIER

READ AND SAVE THESE INSTRUCTIONS

WARNING! SHUT POWER OFF AT FUSE OR CIRCUIT BREAKER.

AVERTISSEMENT! COUPER LE COURANT AU NIVEAU DES FUSIBLES OU DO DISJONCTEUR

MOUNTING THE FIXTURE (Fig. 1)

1. Shut off power at the fuse box or circuit breaker box. If necessary, remove the existing fixture and its mounting hardware.
2. Carefully remove the new fixture from the carton and check that all parts are included as shown in the illustration.
3. Pull the upper housing of the fixture and adjust all arms (J) into equal part distribution.
4. Use wrench (N) (Included) to loosen the screw (O) from metal part (M).
5. Remove the silicone tube (P) from metal part (M). And insert the metal washer (R) and glass (Q) into silicone tube (P) in turn until the whole tube is filled.
6. Insert silicone tube (P) into metal part (M). Then use wrench (N) to secure silicone tube (P) to metal part (M) with screw (O) tightly.
7. Secure metal part (M) to fixture (L) with nut (K).
8. Position the mounting plate (A) on the ceiling and mark the location of the four drywall anchors (C). Pre-drill the holes for the drywall anchors (C). Then insert the drywall anchors (C) into the ceiling.
9. Attach the mounting plate (A) to the junction box (not included) using mounting screws (D) (Size: 8-32*1/2"L). The side of the mounting plate marked "GND" must face out.
10. Place the wood screws (E) through the holes of the mounting plate (A) and lock into the drywall anchors (C) to secure the mounting plate (A) to the ceiling.
11. Fixture includes three 12" and one 6" rods. Determine desired hanging height and thread rods (H1/H2) to all thread (I). Feed fixture wire carefully through each rod. If installing with one 6" rod only the all thread must be removed.
12. Secure rods (H1/H2) to the swivel of canopy (F).
13. The red and black input wires from the led module are marked LED+ & LED-. There is a driver inside of canopy (F). Connect the red output wire (marked output+) from the driver to the red wire (marked LED+) from the LED module and the black one (marked output-) to the black wire (marked LED-) from the LED module. See Fig. 2, make sure that all wire connectors are secured.
14. The support cable is provided to support weight of fixture while wiring. Align fixture to mounting plate (A) and attach hook (Z) on end of support cable into a slot located on mounting plate (A). Carefully allow support cable to support weight of fixture while wiring.

CONNECTION THE WIRES (Fig. 3)

15. Connect the white input wire from the driver to the white wire from the junction box. Connect the black input wire from driver to the black wire from the junction box. If your junction box has a ground wire (green or bare copper), connect the fixtures ground wire to it. Otherwise, connect the fixture ground wire directly to the mounting plate (A) using the green screw (B) provided.

FINISHING THE INSTALLATION (Fig. 1)

16. Align canopy (F) over mounting plate (A) and secure with screws (G). Your installation is now complete. Return power to the junction box and test the fixture.

IMPORTANT: Fixture should be installed by a qualified electrician to ensure proper wiring and installation.

Dimmable with ELV and/or LED compatible wall dimmer switches.

Fig.1

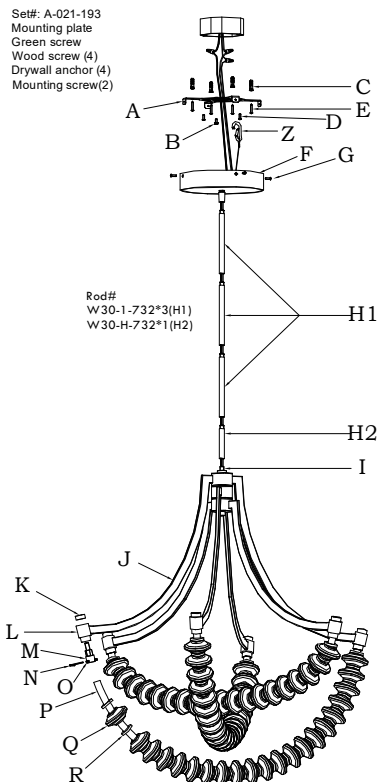


Fig.2

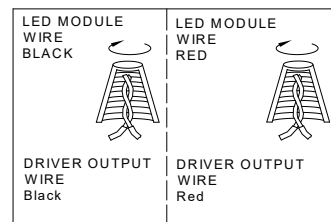
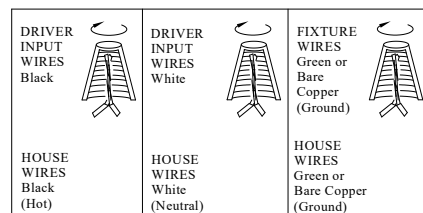


Fig.3



5646-732-L
5647-732-L
5648-732-L