

INSTALLATION INSTRUCTIONS

For item# 5617-XXX-L (New. 2023/11/08)

READ AND SAVE THESE INSTRUCTIONS

WARNING! SHUT POWER OFF AT FUSE OR CIRCUIT BREAKER.

AVERTISSEMENT! COUPER LE COURANT AU NIVEAU DES FUSIBLES OU DU DISJONCTEUR.

PREPARING FOR INSTALLATION (Fig. 1)

1. Shut off power at the fuse box or circuit breaker box and remove the old fixture including the mounting hardware.
2. Carefully unpack your new fixture and lay out all the parts in a clean area. Take care not to misplace any small parts necessary for installation.

ASSEMBLING THE FIXTURE (Fig.1)

3. Remove screws (D) on mounting plate (A) from fixture's body (C).
4. Secure mounting plate (A) to junction box (not included) using mounting screws (B) (Size: #8-32N*L0.5"). The side of the mounting plate (A) marked with "GND" and two convex points must face out.
5. The support cable is provided to support weight of fixture while wiring. Align fixture to mounting plate (A) and attach hook (F) on the end of support cable (E) to a slot located on mounting plate (A). Carefully allow support cable (E) to support weight of fixture while wiring.

CONNECTING THE WIRES (Fig. 2)

6. Connect the electrical wires as shown in (Fig.2). Making sure that all wire connectors are secured. If your junction box has a ground wire (green or bare copper), connect the fixture's ground wire to it. Otherwise, connect fixture's ground wire directly to mounting plate (A) using green screw provided.
7. Tuck wire connectors neatly into the junction box.

COMPLETING THE INSTALLATION (Fig. 1)

8. Place canopy (C) over mounting plate (A) and secure with screws (D).

Note: The LED module should be provided by a specified supplier.

Dimmable with ELV and/or LED compatible wall dimmer switches.

Your installation is now complete. Return power to the junction box and test the fixture.

Note: Illustration (Fig. 1) on this manual is for installation purposes only. It may or may not be identical to the fixture purchased.

Fig. 1

Set#A-021-A-020-143A

- Mounting Plate
- Ground Screw
- Mounting Screw *2

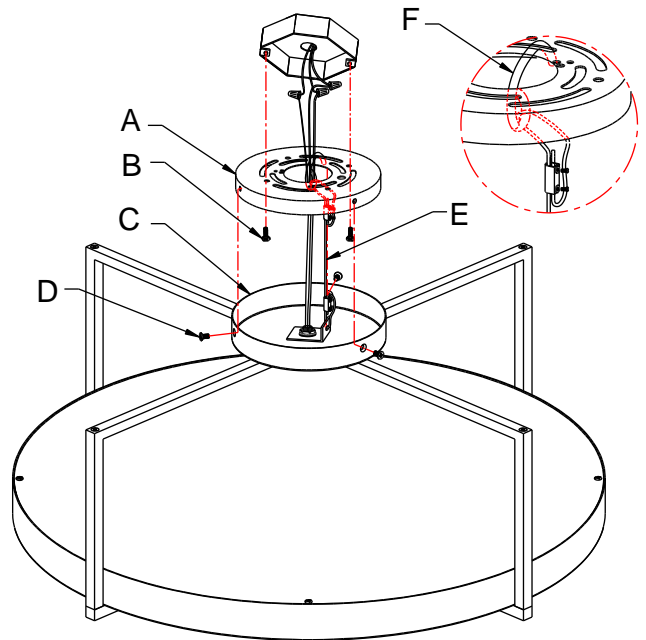


Fig. 2

