

INSTALLATION INSTRUCTIONS

Item#5457-856 (New.06/04/2024)

READ AND SAVE THESE INSTRUCTIONS

WARNING! SHUT POWER OFF AT FUSE OR CIRCUIT BREAKER.

AVERTISSEMENT! COUPER LE COURANT AU NIVEAU DES FUSIBLES OU DU DISJONCTEUR.

PREPARATION (Fig. 1)

1. Shut off power at the fuse box or circuit breaker box and remove the old fixture including the mounting hardware.
2. Carefully unpack your new fixture and lay out all the parts in a clean area. Take care not to misplace any small parts necessary for installation.

ASSEMBLING THE FIXTURE (Fig.1 & Fig.3)

1. Determine the desired hanging height. Thread one end of rods (E1 or E2) to coupling (F) and secure the other end of rod (E1 or E2) to swivel (D). Pass wires carefully through each rod during assembly.
2. Attach mounting plate (A) to the junction box (Not included) with junction box screws (B) (Size: #8-32N*L1"). The side of the mounting plate (A) marked "GND" and two convex points must face out.

CONNECTING THE WIRES (Fig. 2)

3. Connect the electrical wires as shown in Fig.2, making sure that all wire connectors are secured. If junction box has a ground wire (green or bare copper), connect the fixture's ground wire to it. Otherwise, connect the fixture's ground wire directly to mounting plate (A) using the green screw provided.
4. Tuck the wire connectors neatly into the junction box.

COMPLETING THE INSTALLATION (Fig. 1)

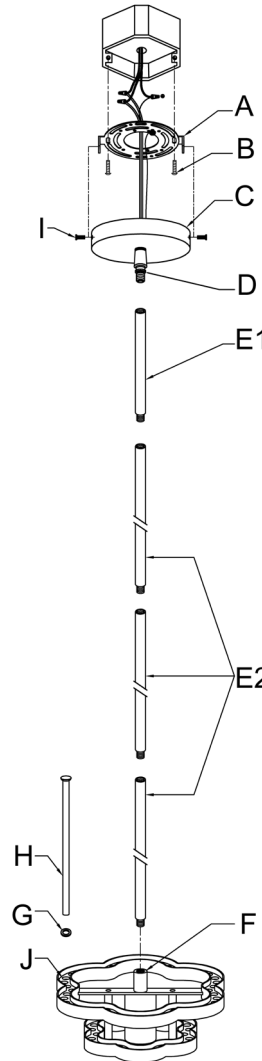
5. Raise canopy (C) and align the holes with mounting plate (A) and secure with mounting screws (I) (Size: #8-32N*L0.5").
6. Place glass rod (H) with plastic washer (G) into the hole (J) of fixture body.
7. Install (1) one medium base bulb up to 60 watts each or CFL or LED equivalent (not included) in accordance with the fixture specification—**DO NOT EXCEED THE MAXIMUM WATTAGE RATING! (NE PAS DEPASSER LA PUISSANCE NOMINALE MAXIMALE!)**

Your installation is now complete. Return power to the junction box and test the fixture.

Note: Illustration (Fig. 1) on this manual is for installation purposes only. It may or may not be identical to the fixture purchased.

Fig. 1

Set# A-020-110
Mounting Plate x 1
Ground Screw x 1
Junction Box Screw x 2



Rod#

E1. W30-H-856

E2. W30-1-856

Glass Rod# G5457

Fig. 2

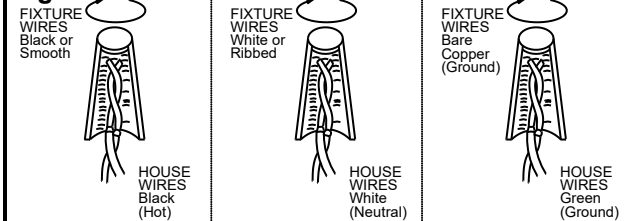
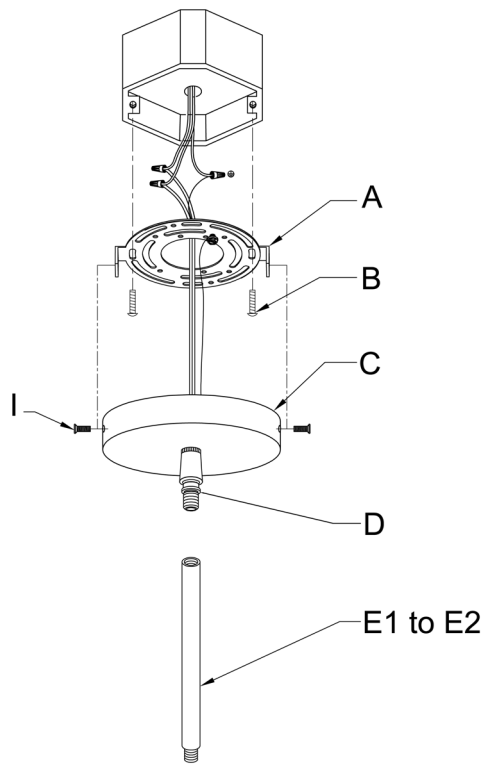
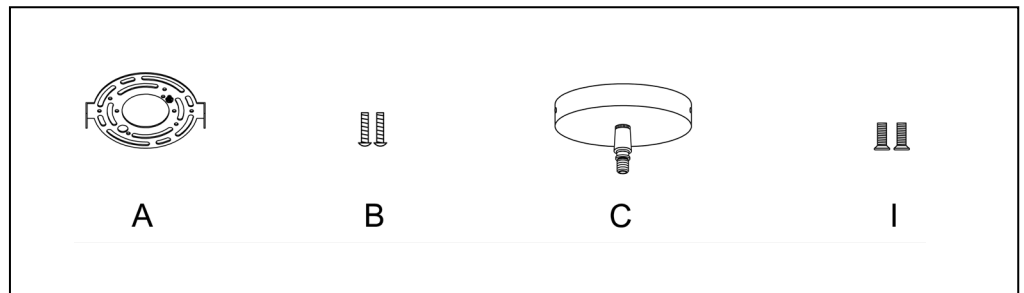


Fig.3



a. Hardware Bag

- A. Mounting Plate x 1pc
- B. Junction Box
Screw x 2pcs
- C. Canopy x 1pc
- I. Mounting Screw x 2pcs



b. Hardware Bag

- E1. Rod 6" x 1pc
- E2. Rod 12" x 3pcs

