

INSTALLATION INSTRUCTIONS

Item#5454-856 (New.06/04/2024)

READ AND SAVE THESE INSTRUCTIONS

WARNING! SHUT POWER OFF AT FUSE OR CIRCUIT BREAKER.

AVERTISSEMENT! COUPER LE COURANT AU NIVEAU DES FUSIBLES OU DU DISJONCTEUR.

PREPARATION (Fig. 1)

1. Shut off power at the fuse box or circuit breaker box and remove the old fixture including the mounting hardware.
2. Carefully unpack your new fixture and lay out all the parts in a clean area. Take care not to misplace any small parts necessary for installation.

ASSEMBLING THE FIXTURE (Fig.1 & Fig.3)

3. Thread rod (F) to cluster (G) and the other end of rod (F) to metal frame (E).
4. Pass the wires carefully through rod (D) and canopy (C). Connect metal frame (E) and canopy (C) with tubing (D).
5. Attach mounting plate (A) to the junction box (Not included) with junction box screws (B) (Size: #8-32N*L1"). The side of mounting plate (A) marked "GND" and two convex points must face out.
6. The support cable (L) is provided to support weight of fixture while wiring. Align fixture to mounting plate (A) and attach the hook of support cable (L) into a slot located on mounting plate (A). Carefully allow support cable (L) to support weight of fixture while wiring. (Fig.1 & Fig.3)

CONNECTING THE WIRES (Fig. 2)

7. Connect the electrical wires as shown in Fig.2, making sure that all wire connectors are secured. If junction box has a ground wire (green or bare copper), connect the fixture's ground wire to it. Otherwise, connect the fixture's ground wire directly to the mounting plate (A) using the green screw provided.
8. Tuck the wire connectors neatly into the junction box.

COMPLETING THE INSTALLATION (Fig. 1)

9. Raise canopy (C) and align with the holes on mounting plate (A) and secure with mounting screws (K) (Size: #8-32N*L0.5").
10. Place glass rod (J) with plastic washer (I) into the hole (H) of fixture body.
11. Install (3) three candelabra base bulbs up to 60 watts each or CFL or LED equivalent (not included) in accordance with the fixture specification—**DO NOT EXCEED THE MAXIMUM WATTAGE RATING! (NE PAS DEPASSER LA PUISSANCE NOMINALE MAXIMALE!)**

Your installation is now complete. Return power to the junction box and test the fixture.

Note: Illustration (Fig. 1) on this manual is for installation purposes only. It may or may not be identical to the fixture purchased.

Fig. 1

Set#A-020-120E
Mounting Plate x 1
Ground Screw x 1
Junction Box Screw x 2

Glass Rod# G5454

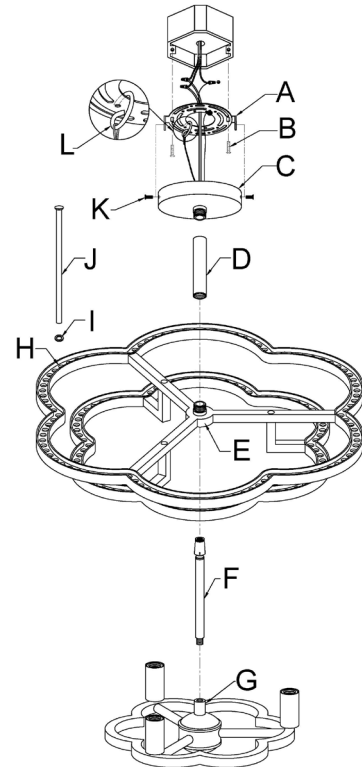


Fig. 2

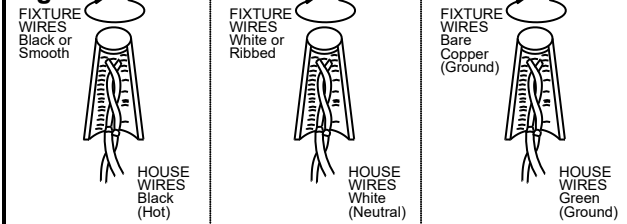
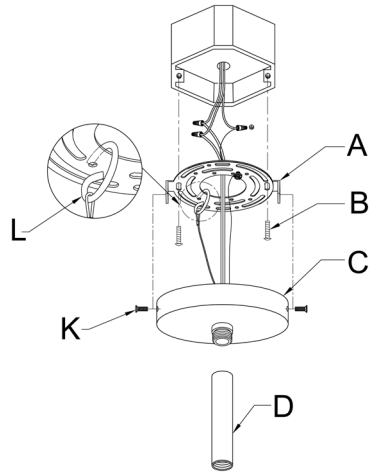


Fig.3



Hardware Bag

A. Mounting Plate x 1pc

B. Junction Box

Screw x 2pcs

C. Canopy x 1pc

K. Mounting Screw x 2pcs

