

INSTALLATION INSTRUCTIONS

Item#5452-856 (New. 06/04/2024)

READ AND SAVE THESE INSTRUCTIONS

WARNING! SHUT POWER OFF AT FUSE OR CIRCUIT BREAKER.

AVERTISSEMENT! COUPER LE COURANT AU NIVEAU DES FUSIBLES OU DU DISJONCTEUR.

PREPARATION (Fig. 1)

1. Shut off power at the fuse box or circuit breaker box and remove the old fixture, including mounting hardware.
2. Carefully remove fixture from carton and check that all parts are included as shown in the illustration.

MOUNTING THE FIXTURE (Fig. 1)

3. Thread two mounting screws (J) (Size#8-32N*1.18"L) into mounting plate (A) spaced same distance apart as holes in back plate of fixture (C) and tighten with hexagon nut (K). The length of mounting screws (J) into mounting plate (A) may be adjusted if necessary. Attach mounting plate (A) to the junction box (Not included) using junction box screws (B) (Size: #8-32*1L"). The side of mounting plate (A) marked "GND" must face out.

CONNECTING THE WIRES (Fig. 2)

4. Connect the electrical wires as shown in Fig. 2 making sure that all wire connectors are secured. If your junction box has a ground wire (green or bare copper), connect the fixture's ground wire to it. Otherwise, connect the fixture's ground wire directly to the mounting plate (A) using the green screw provided.
5. Tuck wire connections neatly into the junction box.

FINISHING THE INSTALLATION (Fig.1)

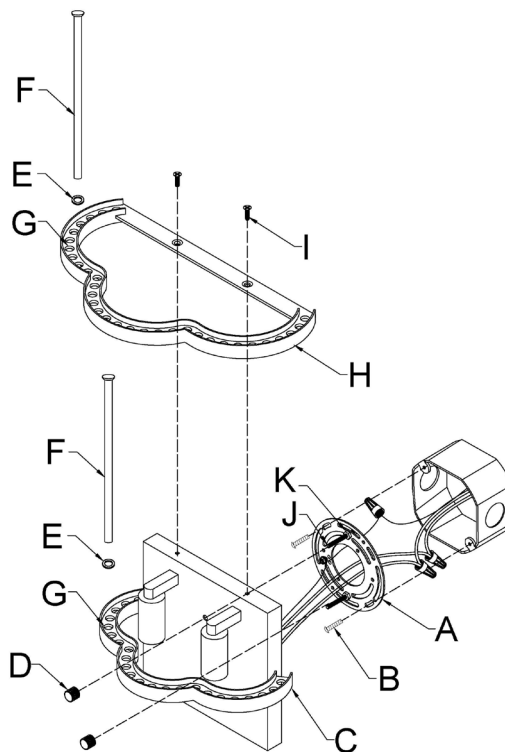
6. Raise fixture to the junction box and secure with knobs (D).
7. Loose top screw (I) and remove the upper metal frame (H) from fixture (C).
8. Place glass rod (F) with plastic washer (E) into the hole (G) of fixture (C).
9. Install the upper frame (H) on fixture (C) and secure with screw (I).
10. Place glass rod (F) with plastic washer (E) into the hole (G) of upper frame (H).
11. Install (2) two candelabra base bulbs up to 60 watts each or CFL or LED equivalent (not included) in accordance with the fixture specification—**DO NOT EXCEED THE MAXIMUM WATTAGE RATING! (NE PAS DEPASSER LA PUISSANCE NOMINALE MAXIMALE!)**

Your installation is now complete. Return power to the junction box and test the fixture.

WARNING: MIN 75 °C SUPPLY CONDUCTORS

Note: Illustration (Fig. 1) on this manual is for installation purposes only. It may or may not be identical to the fixture purchased.

Fig. 1



Set#A-020-A

Mounting Plate x 1

Ground Screw x 1

Junction Box Screw x 2

Glass Rod# G5452

Fig. 2

