

# INSTALLATION INSTRUCTIONS FOR 5433-853

## For Ceiling Mount Fixture

**WARNING! SHUT POWER OFF AT FUSE OR CIRCUIT BREAKER.**

**AVERTISSEMENT ! COUPER LE COURANT AU NIVEAU DES FUSIBLES OU DU DISJONCTEUR.**

### PREPARATION (Fig.1)

1. Shut off power at the fuse box or circuit breaker box. If necessary, remove the old fixture and mounting hardware.
2. Carefully unpack your new fixture and lay out all the parts on a clean area. Take care not to lose any small parts necessary for installation.
3. Position mounting plate on ceiling and mark the location for four plastic anchors. Pre-drill the holes for plastic anchors. Insert plastic anchors into ceiling. Attach the mounting plate to the junction box (not included), using the mounting screws (Size: **8-32\*1/2"L**) and the wood screws to tighten the mounting plate. The side of the mounting plate marked "GND" must face out.
4. Determine the desired hanging height and thread rods (B, C) to fixture body (D) and canopy swivel (A). Pass the wires carefully through each rod as you assemble. Feed the fixture wires through the canopy swivel.

### CONNECTING THE WIRES (FIG. 2)

5. Connect the electrical wires as shown in Fig. 2, making sure that all wire connectors are secured. If your junction box has a ground wire (green or bare copper), connect the fixture's ground wire to it. Otherwise, connect the fixture ground wire directly to the mounting plate using the green screw provided. After wires are connected, tuck them carefully inside the junction box.

### FINISHING THE INSTALLATION (FIG.1)

6. Place the canopy over the mounting plate and secure with canopy screws.
7. Install (3) three medium base bulbs (G) up to 60 watts each or CFL or LED equivalent (not included) in accordance with the fixture specification—**DO NOT EXCEED THE MAXIMUM WATTAGE RATING! (NE PAS DEPASSER LA PUISSANCE NOMINALE MAXIMALE!)**.
8. Put two rings (E) over glass shade (F) and cross the two rings (E) into an X shape.
9. Screw glass shade (F) to fixture body (D) by threading in clockwise direction until tight. Do not over tighten. The fixture is over 10 lbs. Please remove all glasses and iron rings before removing canopy from mounting plate to inspect wire connections in the future. This will allow you to hold the fixture body during wire connection inspection or fixture removal.

Your installation is now complete. Return power to the junction box and test the fixture.

**IMPORTANT:** Fixture should be installed by a qualified electrician to ensure proper wiring and installation.

Fig. 1

Set# A-022-447D  
 - Mounting Plate  
 - Ground Screw  
 - Mounting Screw\*2  
 - Plastic Anchor\*4  
 - Wood Screws\*4

Rod\*3 # W30-H-853  
 Rod\*6 # W30-1-853

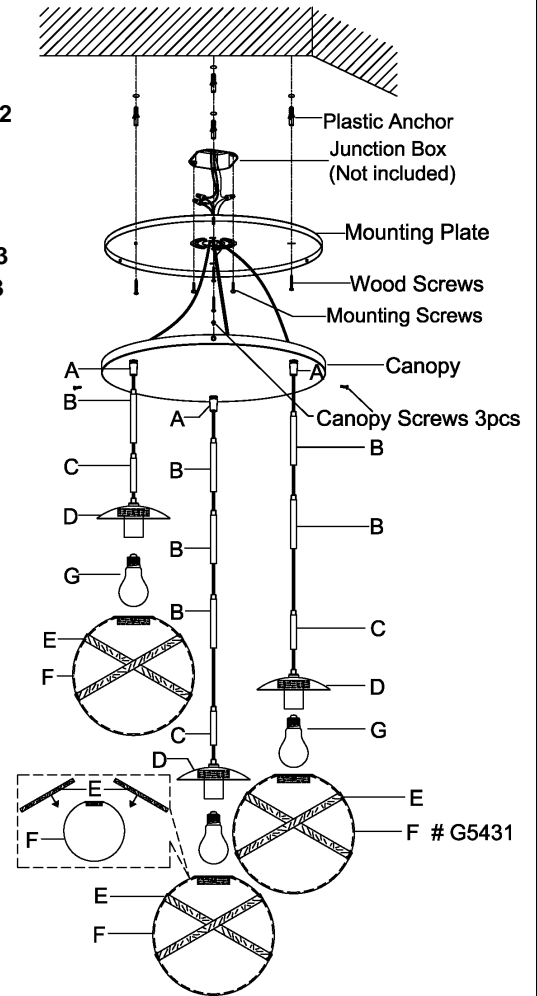


Fig. 2

