

INSTALLATION INSTRUCTIONS

Item#5266-66A (New. 2023/12/08)

READ AND SAVE THESE INSTRUCTIONS

WARNING! SHUT POWER OFF AT FUSE OR CIRCUIT BREAKER.

AVERTISSEMENT! COUPER LE COURANT AU NIVEAU DES FUSIBLES OU DU DISJONCTEUR.

MOUNTING THE FIXTURE (Fig.1)

1. Shut off the power at the circuit breaker and remove the old fixture, including the mounting hardware.
2. Carefully unpack your new fixture and lay out all the parts on a clean area. Take care not to lose any small parts necessary for installation.
3. Install a 1/4" IPS pipe (Not provided) with one end securely mounted to a beam of a structural member. The other end should protrude through the center of the outlet box as shown in (Fig.1).
4. Secure hex nut (N) onto pipe and then secure hickey (O) tightly.
5. Determine the desired hanging height and thread rods (I & H) to all thread on fixture (J). Carefully feed wires through each rod as you assemble. Note: Remove all thread, if installing with one 6" rod only.
6. Attach fixture canopy (E) by threading onto rod (H).
7. Carefully insert glass panel (K), (L), (M) into the frame of fixture body (J), then secure them by pressing the clips on frame of the fixture body (J).
8. Position mounting plate (A) on the wall and mark location of the two mounting holes. Pre-drill holes for plastic anchors (F). Insert plastic anchors (F) into wall.
9. Thread canopy screws (B) into pre-drilled holes in mounting plate (A). Spaced same distance apart as holes in canopy (E), and secure with nuts provided. The length of canopy screws (B) may be adjusted if necessary. Secure mounting plate (A) by inserting wood screws (P) through holes on mounting plate into plastic anchors (F).
10. Attached mounting plate (A) to outlet box (Not included) using mounting screws (B) (Size: #8-32N*L1"). The side of mounting plate (A) marked with "GND" must face out.
11. Feed fixtures wires and safety cable through canopy (E) and allow them to exit through the side of hickey (O). Loop safety cable through hickey (O) and secure safety cable with set screw assembly. (Fig.1).

CONNECTING THE WIRES (Fig. 2)

12. Connect the electrical wires as shown in fig.2, making sure that all wire connectors are secured. If your outlet box has a ground wire (green or bare copper), connect fixture's ground wire to it. Otherwise, connect fixture's ground wire directly to mounting plate (A) using ground screw provided.
13. Tuck the wire connectors neatly into the outlet box.

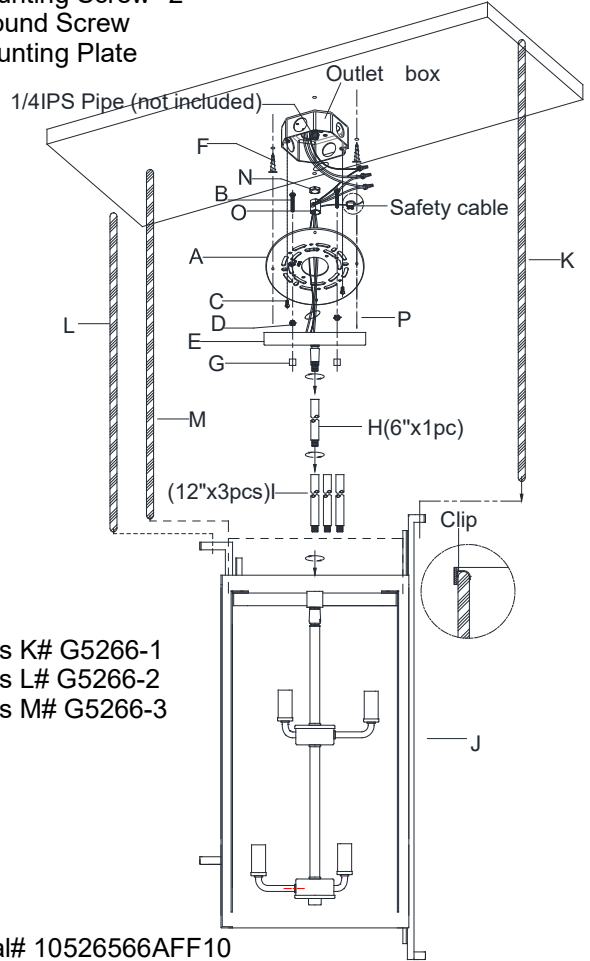
FINISHING THE INSTALLATION (Fig.1)

14. Place canopy (E) over canopy screws (B) and secure with finials (G).
15. Install (6) six candelabra base bulb up to 60 watts or CFL or LED equivalent (not included) in accordance with the fixture specification. — **DO NOT EXCEED THE MAXIMUM WATTAGE RATING! (NE PAS DEPASSER LA PUISSANCE NOMINALE MAXIMALE!**

Fig. 1

Set# A-020-150B
-Mounting Screw *2
-Ground Screw
-Mounting Plate

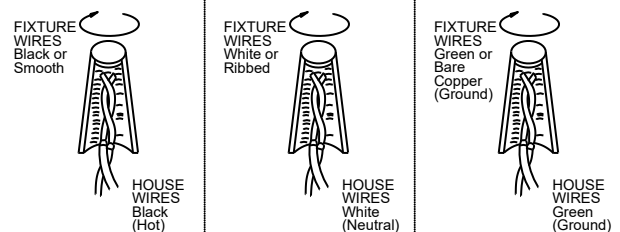
6" Rod# W35-H-66A
12" Rod# W35-1-66A



Glass K# G5266-1
Glass L# G5266-2
Glass M# G5266-3

Finial# 10526566AFF10

Fig. 2



Page 1/2

american
lighting
association

5266-66A

Your installation is now complete. Return power and test the fixture.

Note: Illustration (Fig.1) on this manual is for installation purposes only. It may or may not be identical to the fixture purchased.

WARNING: This luminaire must be mounted or supported independently of an outlet box.

Replace swivel to be loop system (Fig.3)

1. Unscrew the nut (E4), then remove lock washer (E3), flat plate (E2), swivel (E1) and rod (H) from the canopy (E).
2. Attach one loop (S) to the other loop (S) by using quick link (T).
3. Place one loop (S) over canopy (E), then place flat plate (E2) and lock washer (E3) onto the protruding all thread at the top of loop (S), securing with hex nut (E4).
4. Install the loop (S) onto the top of rod (H).

