

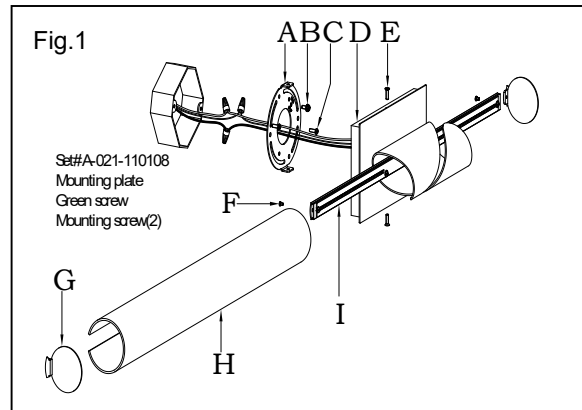
INSTALLATION INSTRUCTIONS FOR 493-732-L 493-899-L 493-84-L

For LED WALL SCONCE READ AND SAVE THESE INSTRUCTIONS

WARNING! SHUT POWER OFF AT FUSE OR CIRCUIT BREAKER
AVERTISSEMENT! COUPER LE COURANT AU NIVEAU DES FUSIBLES OU DO DISJONCTEU

MOUNTING THE FIXTURE (Fig. 1)

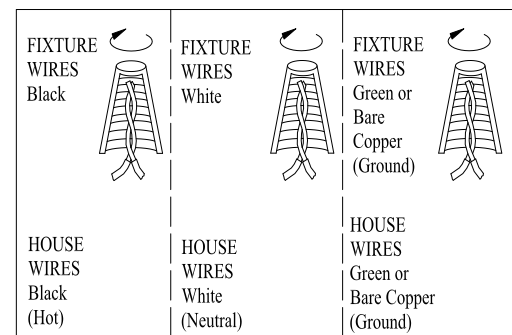
1. Shut off power at the fuse box or circuit breaker box and remove the old fixture including the mounting hardware.
2. Carefully remove the new fixture from the carton and check that all parts are included as shown in the illustration.
3. Attach the mounting plate (A) to junction box (Not included) with mounting screw (Size: 8-32*1/2"L). The side of the mounting plate marked "GND" must face out.
4. Attach one of the decorative plates (G) to frame (I) and secure with screws (F).
5. Align the glass (H) to frame (I). Then attach the other decorative plate (G) to frame (I) and secure with screws (F).



CONNECTING THE WIRES (Fig. 2)

6. Connect the electrical wires as shown in Fig.2, making sure that all wire connectors are secured. If your junction box has a ground wire (green or bare copper), connect fixture's ground wire to it. Otherwise, connect fixture's ground wire directly to mounting plate (A) using green screw (B) provided.
7. Tuck wire connectors neatly into the junction box.

Fig. 2



FINISHING THE INSTALLATION (Fig. 1)

8. Align the fixture (D) over mounting plate (A) and secure with screws (E).

Your installation is now complete. Return power to the junction box and test the fixture.

CAUTION /ATTENTION: When handling the fixture, do not apply pressure to the LEDs. Hold the fixture by the base or fixture body (E) only.

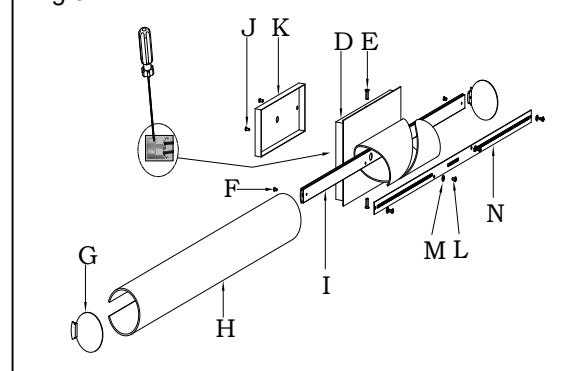
Replacing LED module (Fig. 3)

The LED module can be replaced by a qualified electrician without cutting off wire and without damage to any decorative element to which the fixture is attached. See installation steps in Fig.3 for more details.

Warning: Turn off power at the circuit breaker before replacing LED module.

- a. Loosen screws (E), then remove fixture (D) and wire connectors.
 - b. Loosen screws (J) and remove cover (K).
 - c. Loosen screws (F), then remove decorative plate (G) and glass (H).
 - d. Disconnect the wire using screwdriver (Not included) from wire connector. Then loosen screws (L) and plastic gasket (M) and carefully remove LED module (N).
 - e. Reverse steps a-d for installing the new LED module.
- Note: The LED module should be provided by a specified supplier.

Fig.3



IMPORTANT: Fixture should be installed by a qualified electrician to ensure proper wiring and installation.

Dimmable with ELV and/or LED compatible wall dimmer switches.



IMPORTANT: Fixture should be installed by a qualified electrician to ensure proper wiring and installation.

Dimmable with ELV and/or LED compatible wall dimmer switches.