

INSTALLATION INSTRUCTIONS

Item#3945-732

READ AND SAVE THESE INSTRUCTIONS

WARNING! SHUT POWER OFF AT FUSE OR CIRCUIT BREAKER.

AVERTISSEMENT! COUPER LE COURANT AU NIVEAU DES FUSIBLES OU DU DISJONCTEUR.

PREPARATION (Fig.1)

1. Shut off power at the fuse box or circuit breaker box and remove the old fixture including the mounting hardware.
2. Carefully unpack your new fixture and lay out all the parts in a clean area. Take care not to misplace any small parts necessary for installation.
3. Determine the desired hanging height and select the correct rods(H,I,J and K). Carefully push fixture wires from fixture up through the rods(H,I,J and K),screw the rods onto the all thread(L) of frame(M).Slip collar ring(G) and canopy(F) down over end of rods(H,I,J and K).Pass the fixture wires through swivel(E), collar screw(D) and nipple(C), thread swivel(E) onto the rods, thread nipple(C) of crossbar assembly into collar screw(D).
4. Attach crossbar assembly to the junction box (not included) with mounting screws (B) (Size: #8-32N*L1/2"). The side of the crossbar (A) with "GND" marked on it and two convex points must face out.The length of nipple (C) into crossbar (A) maybe adjusted if necessary.

CONNECTING THE WIRES (Fig. 2)

5. Connect the electrical wires as shown in Fig 2, making sure that all wire connectors are secured. If your junction box has a ground wire (green or bare copper), connect fixture's ground wire to it. Otherwise, connect fixture's ground wire directly to the crossbar (A) using green screw provided.
6. Tuck wire connectors neatly into the junction box.

COMPLETING THE INSTALLATION (Fig. 1)

7. Raise canopy(F) up to ceiling, then secure them with collar ring (G).
8. Rase alabaster bowl shade (O) allowing for the coupling (N) to protrude through the holes on alabaster bowl shade (O),washer(P) and plate(Q), then secure with coupling (R). Rase metal bowl shade (S) allowing for the coupling (R) to protrude through the holes on washer (P) and metal bowl shade(S) then secure with cap nut (T).
9. Adjust each layer of the lampshade to keep it level if necessary.
10. Install (5) five candelabra base bulbs up to 60 watts each or CFL or LED equivalent (not included) in accordance with the fixture specification.—**DO NOT EXCEED THE MAXIMUM WATTAGE RATING! (NE PAS DEPASSER LA PUISSANCE NOMINALE MAXIMALE!)**

Your installation is now complete. Return power to the junction box and test the fixture.

Note: Illustration (Fig. 1) on this manual is for installation purposes only. It may or may not be identical to the fixture purchased.

Fig.1

Set#A-010-C
-Crossbar
-Ground screw
-Mounting screws(2)
Rod#W35-H-732(6")
Rod#W35-1-732(12")

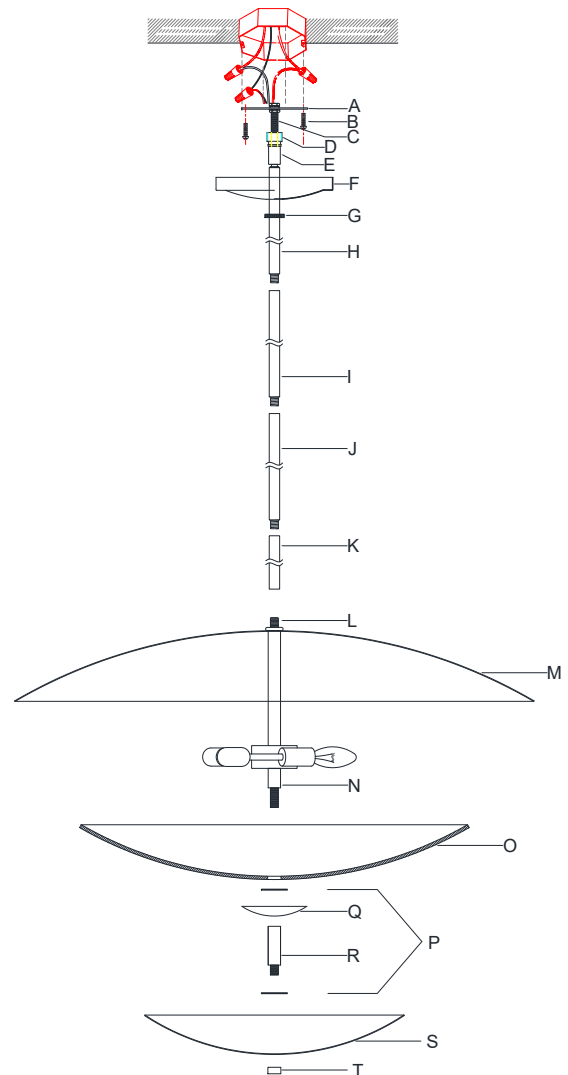


Fig. 2

