

# INSTALLATION INSTRUCTIONS

Item#3943-732

## READ AND SAVE THESE INSTRUCTIONS

**WARNING! SHUT POWER OFF AT FUSE OR CIRCUIT BREAKER.**

**AVERTISSEMENT! COUPER LE COURANT AU NIVEAU DES FUSIBLES OU DU DISJONCTEUR.**

### PREPARATION (Fig.1)

1. Shut off power at the fuse box or circuit breaker box and remove the old fixture including the mounting hardware.
2. Carefully unpack your new fixture and lay out all the parts in a clean area. Take care not to misplace any small parts necessary for installation.
3. Position mounting plate (B) over ceiling and mark location of two holes on mounting plate (B) where plastic anchors (A) will be inserted. Drill holes into ceiling and insert plastic anchor (A).
4. Attach mounting plate (B) to the junction box (not included) with mounting screws (D) (Size: #8-32N\*L1/2"). The side of the mounting plate (B) with "GND" marked on it and two convex points must face out. And install the two wood screws (C) into the plastic anchors(A).
5. Pass fixture wires from top of fixture up through the rods(G) and canopy(E). Screw the ceiling canopy kit(E&G) onto the all thread(H) of fixture(I).

### CONNECTING THE WIRES (Fig. 2)

6. Connect the electrical wires as shown in Fig 2, making sure that all wire connectors are secured. If your junction box has a ground wire (green or bare copper), connect fixture's ground wire to it. Otherwise, connect fixture's ground wire directly to the mounting plate (B) using green screw provided.
7. Tuck wire connectors neatly into the junction box.

### COMPLETING THE INSTALLATION (Fig. 1)

8. Carefully raise the fixture(I) up to ceiling and secure with screws(F).
9. Raise alabaster bowl shade (K) allowing for the coupling(J) to protrude through the holes on alabaster bowl shade (K), washer (L) and plate(M), then secure with coupling (N). Raise metal bowl shade (O) allowing for the coupling (N) to protrude through the holes on washer (L) and metal bowl shade(O) then secure with cap nut (P).
10. Adjust each layer of the lampshade to keep it level if necessary.
11. Install (3) three candelabra base bulbs up to 60 watts each or CFL or LED equivalent (not included) in accordance with the fixture specification.—**DO NOT EXCEED THE MAXIMUM WATTAGE RATING! (NE PAS DEPASSER LA PUISSANCE NOMINALE MAXIMALE!)**

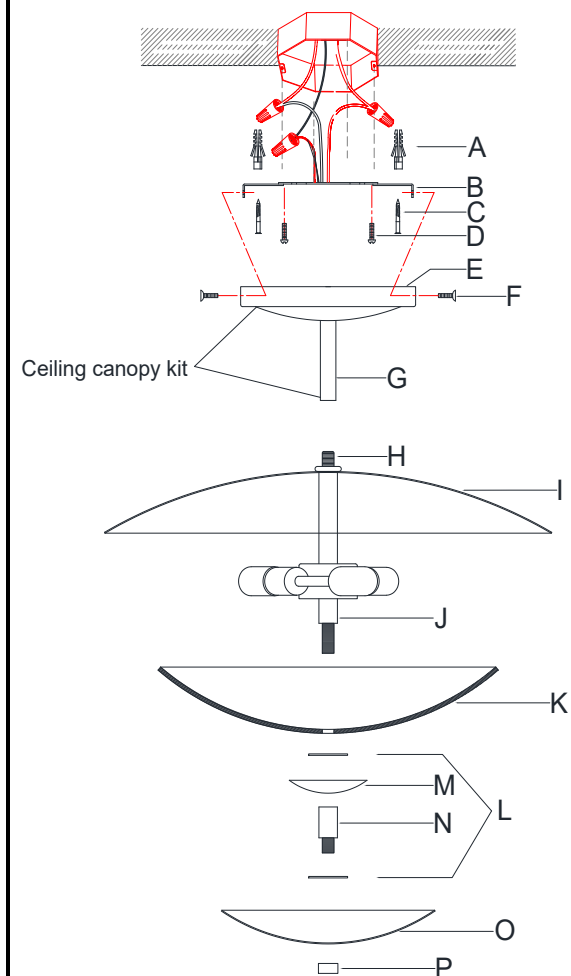
Your installation is now complete. Return power to the junction box and test the fixture.

**Note: Illustration (Fig. 1) on this manual is for installation purposes only. It may or may not be identical to the fixture purchased.**

**Fig.1**

Set#A-021-175

- Mounting plate
- Ground screw
- Wood screws(2)
- Plastic Anchors(2)
- Mounting screws(2)



**Fig. 2**

