

# INSTALLATION INSTRUCTIONS FOR 3935-732 3935-876 3935-879

## For PENDANT

### READ AND SAVE THESE INSTRUCTIONS

#### WARNING! SHUT POWER OFF AT FUSE OR CIRCUIT BREAKER

AVERTISSEMENT! COUPER LE COURANT AU NIVEAU DES FUSIBLES OU DO DISJONCTEU

#### ASSEMBLING THE FIXTURE (Fig.1)

1. Shut off power at the fuse box or circuit breaker box and remove the old fixture including the mounting hardware.
2. Carefully unpack your new fixture and lay out all the parts in a clear area. Take care not to misplace any small parts necessary for installation.
3. Install all thread (F) to crossbar (A) using hex nut (D) and key washer (E).  
Note: The length of all thread (F) into crossbar (A) may be adjusted if necessary.
4. Attach crossbar (A) to junction box (Not included) using mounting screws (C) (Size: 8-32\*1/2"L). The side of crossbar (A) marked "GND" must face out.
5. Install canopy loop (G) to all thread (F) and fixture loop (L) to all thread (M).
6. Determine the desired hanging height and remove the excess chain (I) with proper chain pliers (Not included).
7. Attach one quick link (H) to end of chain (I) and then to fixtures loop (L). Slip lock collar (K) and canopy (J) over chain (I) and allow them to rest fixture loop (L). Attach another quick link (H) to the other end of chain and then to canopy loop (G).
8. Carefully feed the wire through chain (I), lock collar (K), canopy (J), canopy loop (G) and all thread (F) and pull tight.

#### CONNECTING THE WIRES (Fig.2)

9. Connect the electrical wires as shown in Fig.2, making sure that all wire connectors are secured. If your junction box has a ground wire (green or bare copper), connect fixture's ground wire to it. Otherwise, connect fixture's ground wire directly to crossbar (A) using green screw (B) provided.
10. Tuck wire connectors neatly into the junction box.

#### COMPLETING THE INSTALLATION

11. Place canopy (J) over canopy loop (G) and secure canopy to ceiling with lock collar (K).
12. Install (1) one medium base bulb up to 100 watts or CFL or LED equivalent (Not included), in accordance with the fixture specification. **(DO NOT EXCEED THE MAXIMUM WATTAGE RATING!) (NE PAS DEPASSER LA PUISSANCE NOMINALE MAXIMALE!)**

Your installation is now complete. Return power to the junction box and test the fixture.

**IMPORTANT: FIXTURE SHOULD BE INSTALLED BY A QUALIFIED ELECTRICIAN TO ENSURE PROPER WIRING AND INSTALLATION.**

Fig.

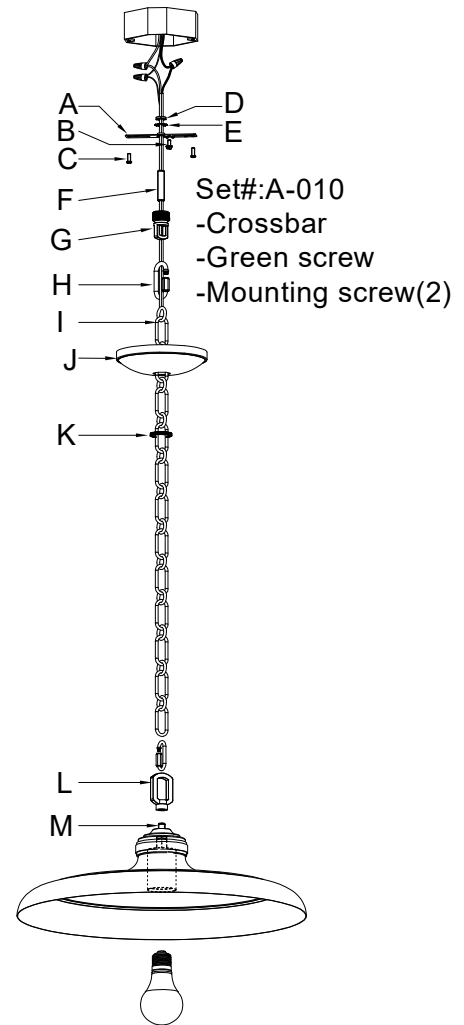


Fig.2

FIXTURE WIRES	HOUSE WIRES	FIXTURE WIRES	HOUSE WIRES	FIXTURE WIRES	HOUSE WIRES
Black or Smooth	Black (Hot)	WHITE OR RIBBED	White (Neutral)	Green or Bare Copper (Ground)	Green or Bare Copper (Ground)



Notice: It is important to use proper chain pliers (not included) .To OPEN and CLOSE the chain included with this fixture. Do not open them with other tools that may twist or stress the chain links. It is important to use proper chain pliers like the ones shown in the diagram.