

# INSTALLATION INSTRUCTIONS FOR 3932-732 3932-876 3932-879

## For PENDANT

### READ AND SAVE THESE INSTRUCTIONS

**WARNING! SHUT POWER OFF AT FUSE OR CIRCUIT BREAKER**

**AVERTISSEMENT! COUPER LE COURANT AU NIVEAU DES FUSIBLES OU DO DISJONCTEU**

#### ASSEMBLING THE FIXTURE (Fig.1)

1. Shut off power at the fuse box or circuit breaker box and remove the old fixture including the mounting hardware.
2. Carefully unpack your new fixture and lay out all the parts in a clear area. Take care not to misplace any small parts necessary for installation.
3. Attach mounting plate (A) to the junction box (Not included) using mounting screws (C) (Size: 8-32\*1/2"L). The side of mounting plate (A) marked "GND must face out.
4. Secure rod (K) to coupler (N) inside shade (I) tightly.
5. Determine desired hanging height and thread rods (G1/G2) to all thread (H). Carefully feed fixture wire carefully through each rod as you assemble. **IMPORTANT:** At least one rod must be used.
6. Secure rods to the swivel (F) on canopy.

#### CONNECTING THE WIRES (Fig.2)

7. Connect the electrical wires as shown in Fig.2, making sure that all wire connectors are secured. If your junction box has a ground wire (green or bare copper), connect fixture's ground wire to it. Otherwise, connect fixture's ground wire directly to mounting plate using green screw (B) provided.
8. Tuck wire connectors neatly into the junction box.

#### COMPLETING THE INSTALLATION

9. Place canopy (E) over mounting plate (A) and secure with screws (D).
10. Install (1) one medium base bulb up to 100 watts or CFL or LED equivalent (Not included), in accordance with the fixture specification (**DO NOT EXCEED THE MAXIMUM WATTAGE RATING!**) (**NE PAS DEPASSER LA PUISSANCE NOMINALE MAXIMALE!**)
11. Loosen screws (M) and remove ring (L) from shade (I).
12. Place glass (J) inside ring (L) and align ring (L) over shade (I) and secure with screws (M).

Your installation is now complete. Return power to the junction box and test the fixture.

**IMPORTANT: FIXTURE SHOULD BE INSTALLED BY A QUALIFIED ELECTRICIAN TO ENSURE PROPER WIRING AND INSTALLATION.**

Fig.1

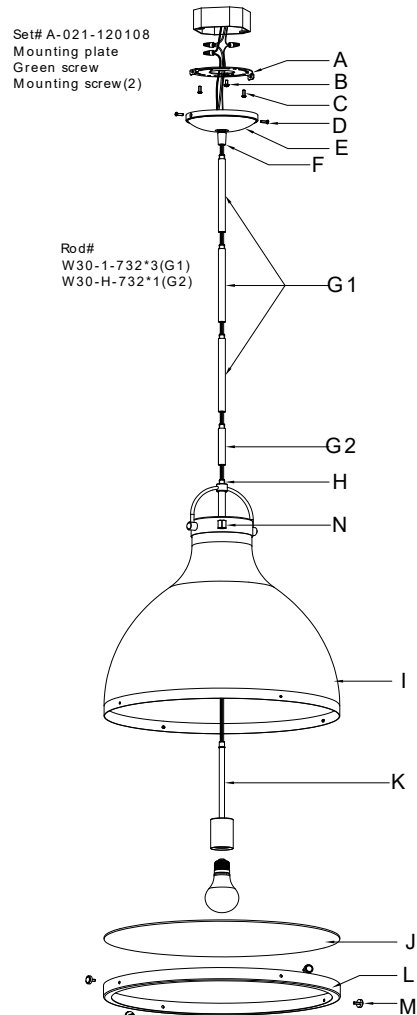


Fig.2

<p>FIXTURE WIRES Black or Smooth</p>	<p>FIXTURE WIRES WHITE OR RIBBED</p>	<p>FIXTURE WIRES Green or Bare Copper (Ground)</p>
<p>HOUSE WIRES Black (Hot)</p>	<p>HOUSE WIRES White (Neutral)</p>	<p>HOUSE WIRES Green or Bare Copper (Ground)</p>

