

INSTALLATION INSTRUCTIONS

Item#3887-776-L/3888-776-L (New. 2023/12/08)

READ AND SAVE THESE INSTRUCTIONS

WARNING! SHUT POWER OFF AT FUSE OR CIRCUIT BREAKER.

AVERTISSEMENT! COUPER LE COURANT AU NIVEAU DES FUSIBLES OU DU DISJONCTEUR.

MOUNTING THE FIXTURE (Fig.1)

1. Shut off the power at the circuit breaker and remove the old fixture, including the mounting hardware.
2. Carefully unpack your new fixture and lay out all the parts on a clean area. Take care not to lose any small parts necessary for installation.
3. Determine the desired hanging height and thread rods (I & H) to coupling on top assembly (J). Carefully feed wires through each rod as you assemble. Note: Remove all thread, if installing with one 6" rod only.
4. Attach fixture canopy (E) by threading onto rod (H)
5. Hook stem (K) to ring of the top assembly (J) and fixture (L).
6. Thread canopy screws (B) into pre-drilled holes in mounting plate (A). Spaced same distance apart as holes in canopy (E), and secure with nuts (D) provided. The length of canopy screws (B) may be adjusted if necessary.
7. Attached mounting plate (A) to outlet box (Not included) using mounting screws (C) (Size: #8-32N*L1"). The side of mounting plate (A) marked with "GND" must face out.
8. The support cable (F) is provided to support the weight of fixture while wiring. Align the fixture to mounting plate (A) and attach hook on the end of support cable (F) into a slot located on mounting plate (A). Carefully allow the support cable (F) to support the weight of the fixture while wiring (Fig.1).

CONNECTING THE WIRES (Fig. 2)

9. Connect the electrical wires as shown in Fig.2, making sure that all wire connectors are secured. If your outlet box has a ground wire (green or bare copper), connect fixture's ground wire and ceiling canopy's ground wire to it. Otherwise, connect fixture's ground wire directly to mounting plate (A) using ground screw provided.
10. The LED driver marked "L" is to connect to Live/Hot wire of lighting fixture cable (with marking L), the driver marked "N" is to connect to Neutral wire of lighting fixture cable (with marking N).
11. Tuck the wire connectors neatly into the outlet box.

FINISHING THE INSTALLATION (Fig.1)

12. Raise canopy (E) over canopy screws (B) and secure with finials (G).

Note: The LED module should be provided by a specified supplier.

Dimmable with ELV and/or LED compatible wall dimmer switches.

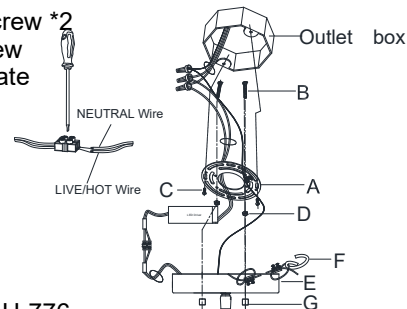
Fig. 1

Set# A-020-

-Mounting Screw

-Ground Screw

-Mounting Plate



6" Rod# W35-H-776

12" Rod# W35-1-776

Finial#

103885776LFF10

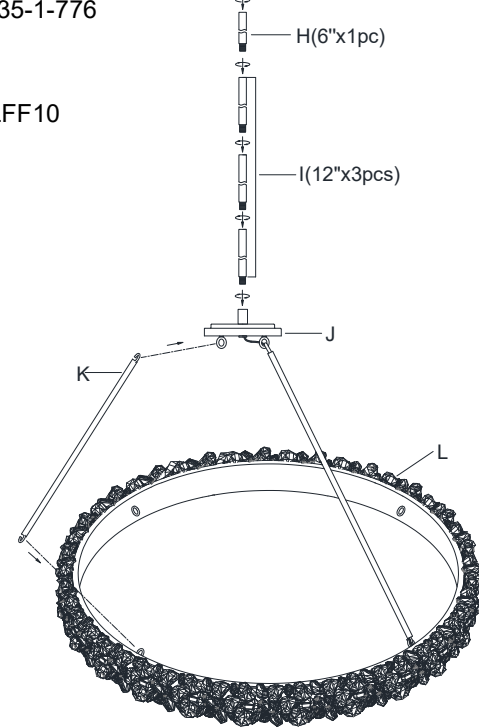
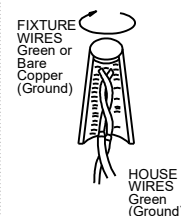
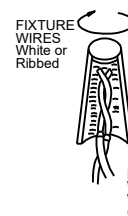
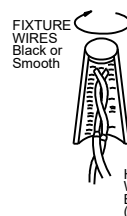


Fig. 2

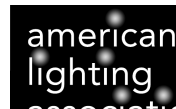


3887-776-L/

3888-776-L



Page 1/2



Your installation is now complete. Return power to the outlet box and test the fixture.

Note: Illustration (Fig.1) on this manual is for installation purposes only. It may or may not be identical to the fixture purchased.

Replace swivel to be loop system (Fig.3)

1. Un thread nut (E4), then remove lock washer (E3), support cable (F), flat plate (E2) and swivel (E1) from canopy (E).
2. Attach one loop (M) to the other loop (M) by using quick link (N).
3. Place loops (M) over canopy (E), then place flat plate (E2), support cable (F) and lock washer (E3) onto protruding all thread at top of loop (M), securing with hex nut (E4).

