

INSTALLATION INSTRUCTIONS

Item# 3792-732 3792-84 3792-899

READ AND SAVE THESE INSTRUCTIONS

WARNING! SHUT POWER OFF AT FUSE OR CIRCUIT BREAKER.

AVERTISSEMENT! COUPER LE COURANT AU NIVEAU DES FUSIBLES OU DU DISJONCTEUR.

PREPARATION (Fig. 1)

1. Shut off power at the fuse box or circuit breaker box and remove the old fixture including the mounting hardware.
2. Carefully unpack your new fixture and lay out all the parts in a clean area. Take care not to misplace any small parts necessary for installation.
3. Loosen lock nut (H) to remove from mounting screw (D). Thread two mounting screws (D) into mounting plate (B) spaced the same distance apart as the holes on fixture back plate. (You can adjust the length of the screws if necessary.)
4. Attach mounting plate (B) to Junction box (Not included) using outlet box screws (A) (Size: #8-32N*L1"). The side of the mounting plate (B) marked "GND" must face out.

CONNECTING THE WIRES (Fig. 2)

5. Connect the electrical wires as shown in (Fig.2). Making sure that all wire connectors are secured. If your junction box has a ground wire (green or bare copper), connect fixture's ground wire to it. Otherwise, connect fixture's ground wire directly to mounting plate (B) using green screw provided.
6. Tuck wire connectors neatly into the junction box.

COMPLETING THE INSTALLATION (Fig. 1)

7. Place fixture body (C) over mounting screw (D) and secure fixture body (C) using lock nuts (H) firmly against the wall.
8. Install (2) two candelabra base bulbs (G) up to 60 watts each or CFL or LED equivalent (Not included) in accordance with the fixture specification. (**DO NOT EXCEED THE MAXIMUM WATTAGE RATING! (NE PAS DEPASSER LA PUISSANCE NOMINALE MAXIMALE!)**).
9. Thread glass shade (F) over socket on fixture (E). Do not over tighten.

Your installation is now complete. Return power to the junction box and test the fixture.

Note: Illustration (Fig. 1) on this manual is for installation purposes only. It may or may not be identical to the fixture purchased.

Fig. 1

Set# A-020

- Mounting Plate*1
- Ground Screw*1
- Mounting Screw*2
- Outlet Box Screw*2

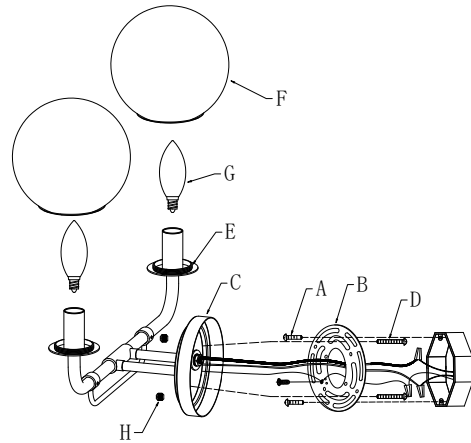


Fig. 2

