

INSTALLATION INSTRUCTIONS

Item#3785-732

READ AND SAVE THESE INSTRUCTIONS

WARNING! SHUT POWER OFF AT FUSE OR CIRCUIT BREAKER.

AVERTISSEMENT! COUPER LE COURANT AU NIVEAU DES FUSIBLES OU DU DISJONCTEUR.

1. Shut off power at the fuse box or circuit breaker box and remove the old fixture including the mounting hardware.

2. Carefully unpack your new fixture and lay out all the parts in a clean area. Take care not to misplace any small parts necessary for installation.

ASSEMBLING THE FIXTURE (Fig.1)

3. Determine the desired hanging height to remove the excess chain link from chain (I). Attach the quick link (H) to one end link of chain (I) and attach the quick link (H) to the top fixture loop of the fixture body (J). Note: The quick link (H) must be fully closed.

4. Thread the fixture wire and bare copper ground wire up through every other link in the chain (I).

5. Install crossbar (A) with nipple (D), lock nut (M) and screw collar loop (F) to the junction box using two junction box screws (B). The side of crossbar marked "GND" must face out. The length of nipple (D) may be adjusted if necessary. Then tighten with lock nut (M) provided.

6. Slip threaded ring (G), follow up by canopy (C) and allow them to rest on fixture loop of the fixture body (J). Attach another quick link (H) to another end of chain (I). Fasten the end link of quick link (H) to the screw collar loop (F). Note: The quick link (H) must be fully closed. Insert the fixture wires to up through the nipple (D).

CONNECTING THE WIRES (Fig. 2)

7. Connect electrical wires as shown in Fig.2, making sure that all wire connectors are secured. If your junction box has a ground wire (green or bare copper), connect the fixture's ground wire to it. Otherwise, connect the ground wire directly to the crossbar (A) using the green screw (E) provided.

8. Tuck wire connectors neatly into the junction box.

COMPLETING THE INSTALLATION (Fig. 1)

9. Raise the canopy (C) to the ceiling and secure in place by screwing the threaded ring (G) onto the screw collar loop (F).

10. Install (1) one medium base bulb (L) up to 60 watts each or CFL or LED equivalent (not included) in accordance with the fixture specification —**DO NOT EXCEED THE MAXIMUM WATTAGE RATING! (NE PAS DEPASSER LA PUISSANCE NOMINALE MAXIMALE!)**

11. Screw glass shade (K) over the socket in the fixture body (J). Do not over tighten.

Fig.1

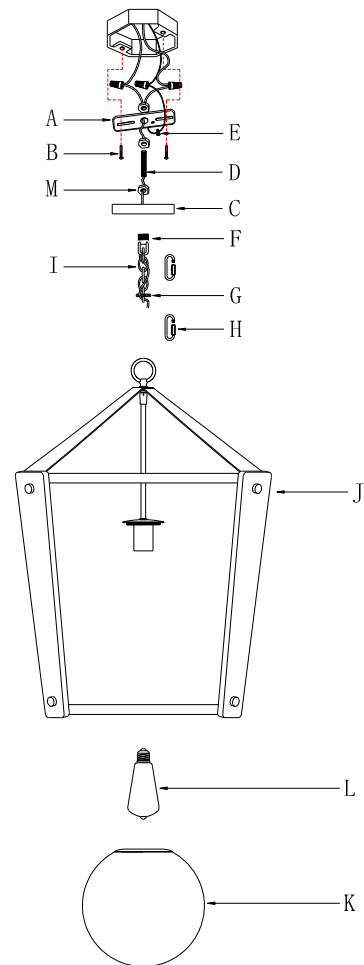
Set#A-016

-Crossbar

-Ground Screw

-Junction Box Screw*2

Chain#HCH2072-732

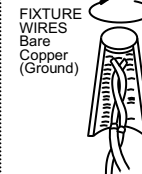
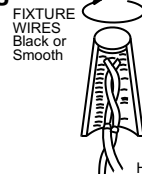


Your installation is now complete. Return power to the junction box and test the fixture.

Note: Illustration (Fig. 1) on this manual is for installation purposes only. It may or may not be identical to the fixture purchased.

IMPORTANT: FIXTURE SHOULD BE INSTALLED BY A QUALIFIED ELECTRICIAN TO ENSURE PROPER WIRING AND INSTALLATION.

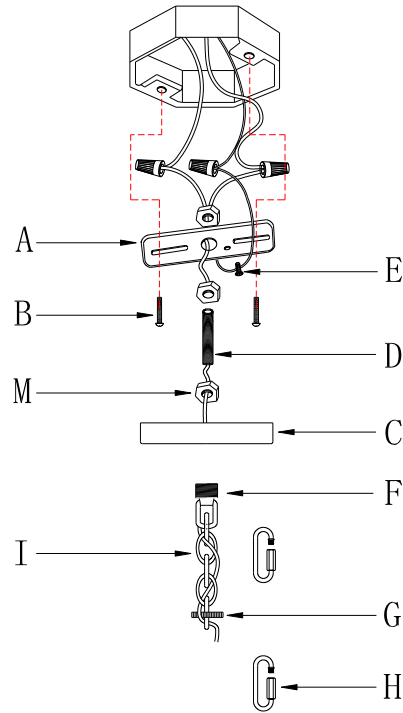
Fig. 2





Notice: It is important to use proper chain pliers (not included)
 To OPEN and CLOSE the chain included with this fixture. Do not open them with other tools that may twist or stress the chain links. It is important to use proper chain pliers like the

Fig.3



a. Hardware Bag:

- A. Crossbar*1
- B. Junction Box Screw*2
- C. Canopy *1
- D. Nipple*1
- E. Ground screw*1
- F. Screw collar loop*1
- G. Threaded ring*1
- H. Quick Link*2
- I. Chain*1
- M. Lock nut*3

