

INSTALLATION INSTRUCTIONS FOR 3779-855 3779-893

For PENDANT

READ AND SAVE THESE INSTRUCTIONS

WARNING! SHUT POWER OFF AT FUSE OR CIRCUIT BREAKER

AVERTISSEMENT! COUPER LE COURANT AU NIVEAU DES FUSIBLES OU DU DISJONCTEUR

ASSEMBLING THE FIXTURE (Fig.1)

1. Shut off power at the fuse box or circuit breaker box and remove the old fixture including the mounting hardware.
2. Carefully unpack your new fixture and lay out all the parts in a clear area. Take care not to misplace any small parts necessary for installation.
3. Position the mounting plate (A) onto the ceiling and mark the location of the four drywall anchors (K). Pre-drill the holes for the drywall anchors (K) and insert the drywall anchors (K) into the ceiling.
4. Attach the mounting plate (A) to the junction box (not included) using mounting screws (C) (Size: 8-32*1/2"L). The side of the mounting plate marked "GND" must face out.
5. Place the wood screws (L) through the mounting plate (A) and lock them into the drywall anchors (K) to secure the mounting plate (A) to the ceiling.
6. Install (9) nine candelabra base bulbs up to 60 watts each or CFL or LED equivalent (Not included), in accordance with the fixture specification (**DO NOT EXCEED THE MAXIMUM WATTAGE RATING!**) (**NE PAS DEPASSER LA PUISSANCE NOMINALE MAXIMALE!**)
7. Align glass (I) to shade (H) and fixture (G) carefully, then rotate glass (I) to fixture (G). Do not over tighten. (ATTENTION: All shade should be mounted in the same way: the wide end faces up and the narrow end faces down.) After installing the shades (H), if there is a gap between two shades, please remove and adjust the width of the shades (H). Then install again to make sure all shades (H) closely combined to achieve a better result.
8. Adjust 3 strainers (F) to make the length of the safety cable reach the height of the fixing device you need. Smooth the wire with rubber rings (N). Then adjust the wire length accordingly and secure with screw (J). (Use the provided hex wrench (O).)
9. The support cable is provided to support weight of fixture while wiring. Align fixture to mounting plate (A) and attach hook (M) on end of support cable into a slot located on mounting plate (A). Carefully allow support cable to support weight of fixture while wiring.

CONNECTING THE WIRES (Fig.2)

10. Connect the electrical wires as shown in Fig.2, making sure that all wire connectors are secured. If your junction box has a ground wire (green or bare copper), connect the fixture's ground wire to it. Otherwise, connect the fixture's ground wire directly to the mounting plate using the green screw (B) provided.

COMPLETING THE INSTALLATION

11. Align the canopy (D) onto mounting plate (A) and secure with screws (E).

Your installation is now complete. Return power to the junction box and test the fixture.

The fixture is over 10 lbs. Please remove glass and shade before removing canopy from mounting plate to inspect wire connections in the future. This will allow you to hold the fixture body during wire connection inspection or fixture removal.

IMPORTANT: FIXTURE SHOULD BE INSTALLED BY A QUALIFIED ELECTRICIAN TO ENSURE PROPER WIRING AND

Fig.1

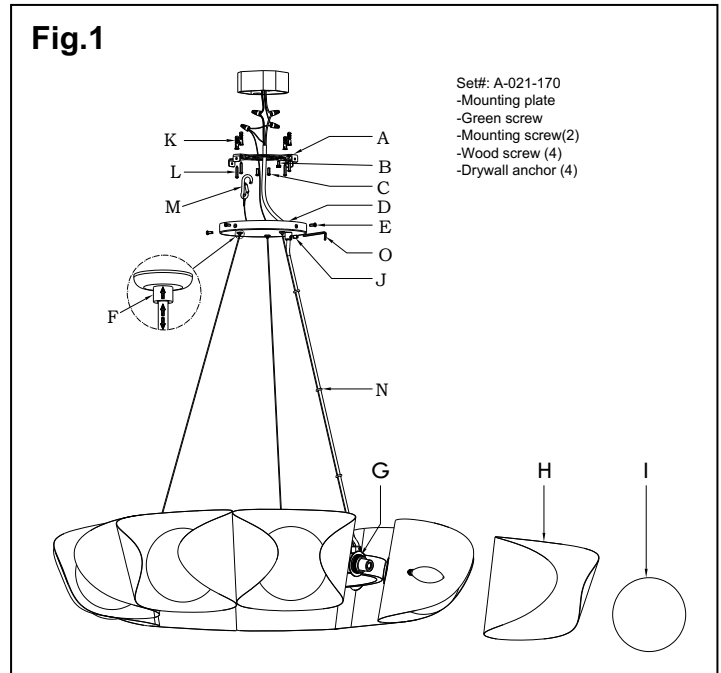
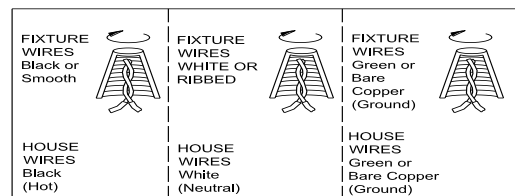


Fig.2



3779-855
3779-893