

INSTALLATION INSTRUCTIONS FOR 3773-893 3773-855

For WALL MOUNT

READ AND SAVE THESE INSTRUCTIONS

WARNING! SHUT POWER OFF AT FUSE OR CIRCUIT BREAKER.

AVERTISSEMENT! COUPER LE COURANT AU NIVEAU DES FUSIBLES OU DO DISJONCTEUR

MOUNTING THE FIXTURE (Fig. 1)

1. Shut off power at the fuse box or circuit breaker box. If necessary, remove the existing fixture and its mounting hardware.
2. Carefully remove the new fixture from the carton and check that all parts are included as shown in the illustration.
3. Position the mounting plate (A) on the wall and mark the location of the two drywall anchors (D). Pre-drill the holes for the drywall anchors (D). Then insert the drywall anchors (D) into the wall.
4. Attach the mounting plate (A) to the junction box (not included) using mounting screws (C) (Size: 8-32*1/2"L). The side of the mounting plate marked "GND" must face out.
5. Place the wood screws (E) through the holes of the mounting plate (A) and lock them into the drywall anchors (D) to secure the mounting plate (A) to the wall.

CONNECTION THE WIRES (Fig. 2)

6. Connect the electrical wires as shown in Fig.2, making sure that all wire connectors are secured. If your junction box has a ground wire (green or bare copper), connect the fixture's ground wire to it. Otherwise, connect the fixture's ground wire directly to the mounting plate using the green screw (B) provided.
7. Tuck wire connectors neatly into the junction box.

FINISHING THE INSTALLATION (Fig. 1)

8. Align Fixture (F) over mounting plate (A) and secure with screws (G).
9. Install (3) Three candelabra base bulbs up to 60 watts each or CFL or LED equivalent (Not included), in accordance with the fixture specification (**DO NOT EXCEED THE MAXIMUM WATTAGE RATING!**) (**NE PAS DEPASSER LA PUISSNCE NOMINALE MAXIMLE!**)
10. Align glass (J) to shade (I) and fixture (H) carefully, then rotate glass (J) to fixture (H). Do not over tighten. (ATTENTION: The shade should be installed in a staggered manner with one side facing upside and one side facing downside.)

Fig.1

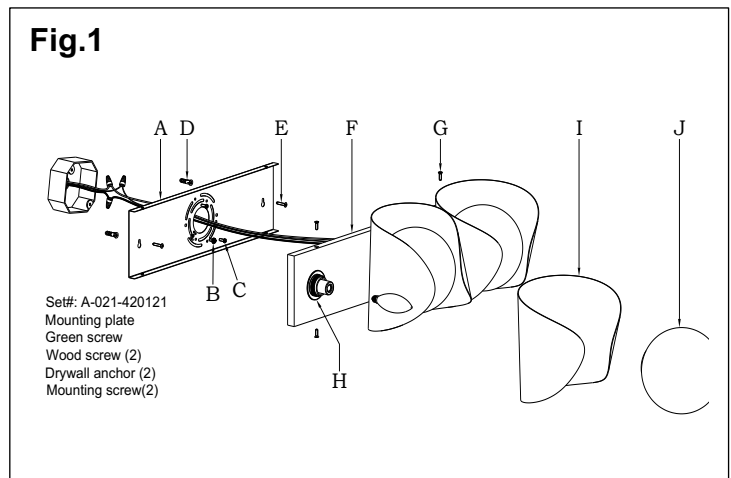
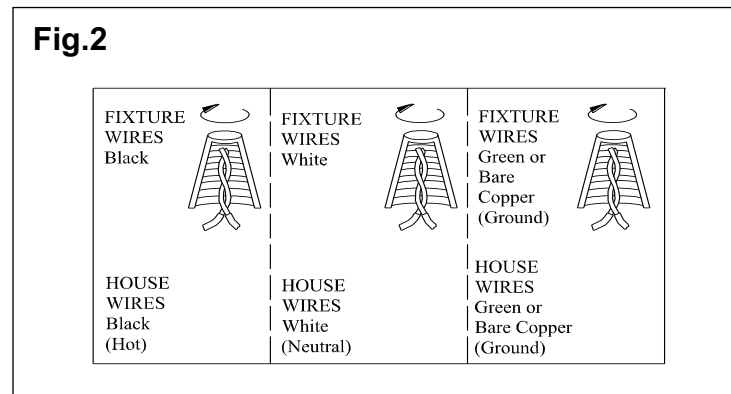


Fig.2



Your installation is now complete. Return power to the junction box and test the fixture.

IMPORTANT: FIXTURE SHOULD BE INSTALLED BY A QUALIFIED ELECTRICIAN TO ENSURE PROPER WIRING AND INSTALLATION.

MIN 75°C SUPPLY CONDUCTORS

3773-893

3773-855