

## INSTALLATION INSTRUCTION FOR FIXTURE #3764-876

**WARNING! SHUT POWER OFF AT FUSE OR CIRCUIT BREAKER.**  
**AVERTISSEMENT! COUPER LE COURANT AU NIVEAU DES FUSIBLES OU DU DISJONCTEUR.**

### MOUNTING THE FIXTURE (FIG. 1)

1. Shut off the power supply at the fuse box or circuit breaker. If necessary, remove the old fixture from wall. Including the mounting hardware.
2. Carefully remove the new fixture from the carton and check that all parts are included as shown in the illustration.
3. Position the mounting plate (B) on the wall, and mark location of the two plastic anchors (C). Drill the holes on the wall and then insert the plastic anchors (C).
4. Attach the mounting plate (B) to the junction box (not included) using mounting screws (D). The side of the mounting plate marked "GND" must face out.
5. Secure the mounting plate (B) by inserting the wood screws (A) through the holes on the mounting plate (B) into the plastic anchors (C).

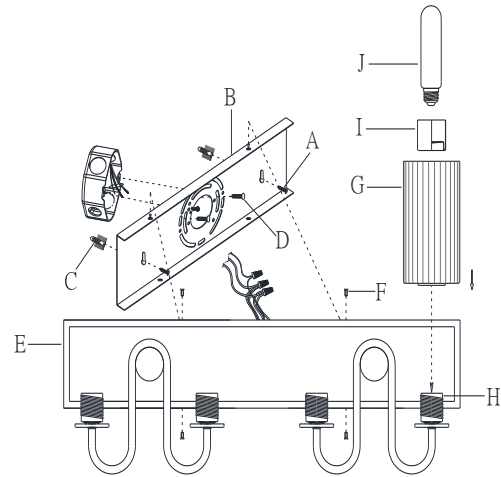
### CONNECTING THE WIRES (FIG. 2)

6. Connect the electrical wires as shown in Fig.2 making sure that all wire connectors are secured. If your outlet box has a ground wire (green or bare copper), connect fixture's ground wire to it. Otherwise, connect fixture's ground wire directly to mounting strap using green screw provided.
7. Tuck wire connections neatly into outlet box.
8. Attach fixture wall plate (E) over mounting plate (B) and secure with screws (F) tightly.
9. Install glass shade (G) over the socket (H) and secure with socket ring (I).
10. Install (4) four medium base bulbs (J) up to 60 watts of CFL or LED equivalent (Not included) in accordance with fixture's specifications. **(DO NOT EXCEED THE MAXIMUM WATTAGE RATING!) (NE PAS DEPASSER LA PUISSANCE NOMINALE MAXIMALE!).**

Your installation is now complete. Return power to the outlet box and test the fixture.

**Warning: The fixture is over 10 lbs. Please remove all glasses before removing wall plate from mounting plate to inspect wire connections in the future. This will allow you to hold the fixture body during wire connection or inspection or fixture removal.**

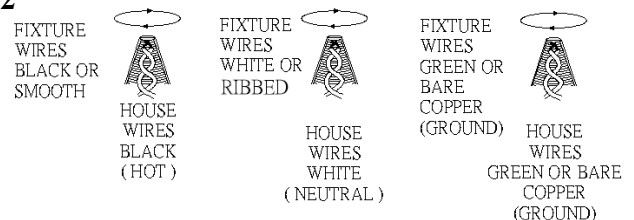
Fig.1



**A-020-654122**

Mounting Plate \* 1  
Mounting Screw \* 2  
Ground Screw \* 1

Fig.2



**Note: Illustration (Fig. 1) & (Fig.2) on this manual is for installation purposes only. It may or may not be identical to the fixture purchased.**



american  
lighting  
association