

# INSTALLATION INSTRUCTIONS FOR 3748-732

## For CHANDELIER

### READ AND SAVE THESE INSTRUCTIONS

#### WARNING! SHUT POWER OFF AT FUSE OR CIRCUIT BREAKER

AVERTISSEMENT! COUPER LE COURANT AU NIVEAU DES FUSIBLES OU DO DISJONCTEU

#### ASSEMBLING THE FIXTURE (Fig.1)

1. Shut off power at the fuse box or circuit breaker box and remove the old fixture including the mounting hardware.
2. Carefully unpack your new fixture and lay out all the parts in a clear area. Take care not to misplace any small parts necessary for installation.
3. Position the mounting plate (A) onto the ceiling and mark the location of the two drywall anchors (M). Pre-drill the holes for the drywall anchors (M) and insert the drywall anchors (M) into the ceiling.
4. Attach the mounting plate (A) to the junction box (not included) using mounting screws (C) (Size: 8-32\*1/2"L). The side of the mounting plate marked "GND" must face out.
5. Place the wood screws (N) through the mounting plate (A) and lock them into the drywall anchors (M) to secure the mounting plate (A) to the ceiling.
6. Secure the pipe (H) to all thread (I) tightly.
7. Fixture includes three 12" and one 6" rods. Secure the nipple (O) to rod (G2) tightly. Determine desired hanging height and thread rods (G1/G2) to pipe (H). If installing with one 6" rod only the all thread must be removed. Then feed fixture wire carefully through each rod.
8. Secure rods to the swivel (F) of canopy (D).
9. The support cable is provided to support weight of fixture while wiring. Align fixture to mounting plate (A) and attach hook (L) on end of support cable into a slot located on mounting plate (A). Carefully allow support cable to support weight of fixture while wiring.

#### CONNECTING THE WIRES (Fig.2)

10. Connect the electrical wires as shown in Fig.2, making sure that all wire connectors are secured. If your junction box has a ground wire (green or bare copper), connect the fixture's ground wire to it. Otherwise, connect the fixture's ground wire directly to the mounting plate using the green screw (B) provided.

11. Tuck wire connectors neatly into the junction box.

#### COMPLETING THE INSTALLATION

12. Align the canopy (D) onto mounting plate (A) and secure with screws (E).
13. Install (13) thirteen candelabra base bulbs up to 60 watts each or CFL or LED equivalent (Not included), in accordance with the fixture specification (**DO NOT EXCEED THE MAXIMUM WATTAGE RATING!**) ( **NE PAS DEPASSER LA PUISSANCE NOMINALE MAXIMLE!** )
14. Rotate the glass (K) to the fixture (J). Do not over tighten. To straighten the cord, please use a blow dryer (not included) if necessary.

Your installation is now complete. Return power to the junction box and test the fixture.

**IMPORTANT: FIXTURE SHOULD BE INSTALLED BY A QUALIFIED ELECTRICIAN TO ENSURE PROPER WIRING AND INSTALLATION.**

Fig.1

Set#: A-021-142108  
Circular Strap  
Green screw  
Mounting screw(2)  
Wood screw (2)  
Drywall anchor (2)

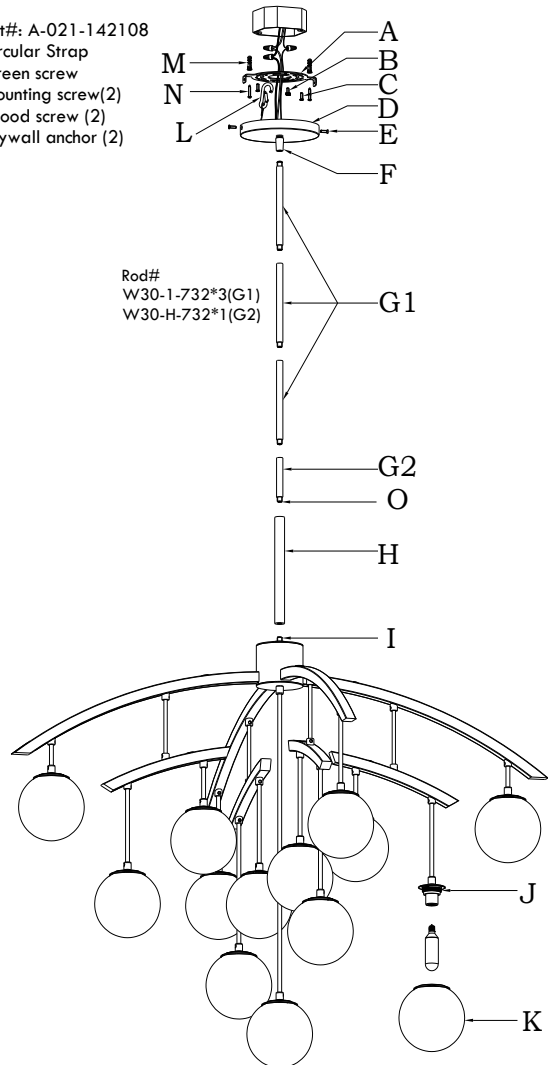


Fig.2

<p>FIXTURE WIRES Black or Smooth</p>	<p>FIXTURE WIRES WHITE OR RIBBED</p>	<p>FIXTURE WIRES Green or Bare Copper (Ground)</p>
<p>HOUSE WIRES Black (Hot)</p>	<p>HOUSE WIRES White (Neutral)</p>	<p>HOUSE WIRES Green or Bare Copper (Ground)</p>



3748-732