

INSTALLATION INSTRUCTIONS

Item# 3718-788

READ AND SAVE THESE INSTRUCTIONS

WARNING! SHUT POWER OFF AT FUSE OR CIRCUIT BREAKER.
VERTISEMENT! COUPER LE COURANT AU NIVEAU DES FUSIBLES OU DU DISJONCTEUR.

ASSEMBLING THE FIXTURE (Fig. 1)

1. Shut off power at the fuse box or circuit breaker box and remove The old fixture including the mounting hardware.
2. Carefully unpack your new fixture and lay out all the parts in a clean area. Take care not to misplace any small parts necessary for installation.
3. To begin assembly of your fixture, first slip stem (1) with loop along with wire and thread onto threaded tube (2) and tighten.

HANGING THE FIXTURE (Fig. 2)

4. Thread all thread (D) into ceiling loop (F) until snug.
5. Thread the other end of all thread (D) into crossbar. Note: The length of all thread (D) into crossbar maybe adjusted if necessary.
6. Use lock washer (B) and hex nut (E) to secure all thread (D) to crossbar (A).
7. Take crossbar assembly and mount to junction box (JB) **"not provided"** with 8-32 mounting screws. The side of crossbar (A) marked with "GND" must be face out.
8. Determined the desired hanging height and discard excess chain. Note: 2x quick links are provided and must be attach to both ends of chain (I).
9. Open quick link (G) and connect to loops (F/K). Then thread quick link (G) and close.
10. Slip canopy (H) and collar ring (J) over quick link (G) and allow them to rest on fixture loop (K).
- 11 Feed fixtures wires through ceiling loop (F) and crossbar assembly and all thread (D).

CONNECTING THE WIRE (Fig. 3)

12. Connect the electrical wire as shown in Fig. 3, making sure that all the wire connectors are secured. If your junction box has a ground wire (green, or bare copper), connect fixture's ground wire to it. Otherwise connect fixture ground wire directly to crossbar (A) using green screw provided.
13. Tuck wire connections neatly into junction box (JB).
14. Raise canopy over ceiling loop (F) and secure with collar ring (J)

FINISHING THE FIXTURE (Fig. 1)

15. Install 6x E12 base light bulbs (LB) up to 60 watts each or CFL or LED equivalent (not included) in accordance with the fixture specification

DO NOT EXCEED THE MAXIMUM WATTAGE RATING!
(NE PAS DEPASSER LA PUISSANCE NOMINALE MAXIMALE!)

Your installation is now complete. You can now turn the power ON and test the fixture.

Note: Illustration (Fig. 1) on this manual is for installation purposes only. It may or may not be identical to the fixture purchased.

FIG. 1

Set# A-012
-Crossbar
-Ground screw
-Mounting Screw *2

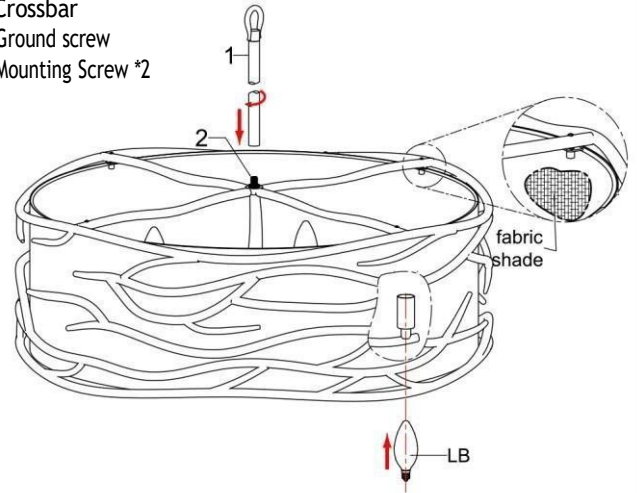


FIG. 2

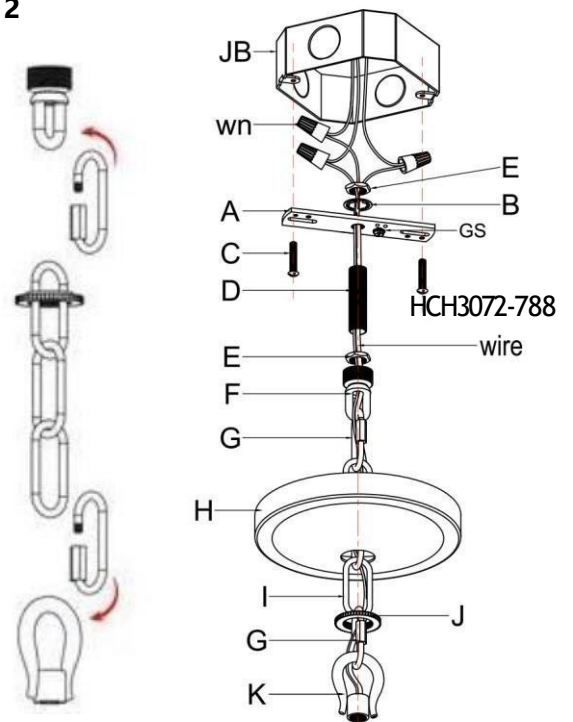
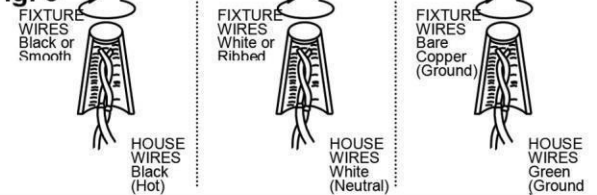


Fig. 3



Notice: It is important to use proper chain pliers (not included) To OPEN and CLOSE the chain included with this fixture. Do not open them with other tools that may twist or stress the chain links. It is important to use proper chain pliers like the ones shown in the diagram.

