

INSTALLATION INSTRUCTIONS FOR 3701-732

For WALL SCONCE

READ AND SAVE THESE INSTRUCTIONS

WARNING! SHUT POWER OFF AT FUSE OR CIRCUIT BREAKER.

AVERTISSEMENT! COUPER LE COURANT AU NIVEAU DES FUSIBLES OU DO DISJONCTEUR.

MOUNTING THE FIXTURE (Fig. 1)

1. Shut off power at the fuse box or circuit breaker box and remove the old fixture including the mounting hardware.
2. Carefully remove the new fixture from the carton and check that all parts are included as shown in the illustration.
3. Attach mounting plate (A) to junction box (Not included) using mounting screw (Size: 8-32*1/2"L). The side of mounting plate (A) marked "GND" must face out.

CONNECTING THE WIRES (Fig. 2)

4. Connect the electrical wires as shown in Fig.2, making sure that all wire connectors are secured. If your junction box has a ground wire (green or bare copper), connect fixture's ground wire to it. Otherwise, connect fixture's ground wire directly to mounting plate using green screw (B) provided.
5. Tuck wire connectors neatly into the junction box.

FINISHING THE INSTALLATION (Fig. 1)

6. Place fixture (D) over mounting plate (A) and secure with screws (E).
7. Install (1) one candelabra base bulb up to 60 watts T8 (2700K bulbs are recommended) or CFL or LED equivalent (Not included), in accordance with the fixture specification **(DO NOT EXCEED THE MAXIMUM WATTAGE RATING!)(NE PAS DEPASSER LA PUISSNCE NOMINALE MAXIMLE!)**
8. Align glass (G) over fixture (F) and secure with screws (H) and plastic washer (I) provided. Do not over tighten.

Your installation is now complete. Return power to the junction box and test the fixture.

IMPORTANT: FIXTURE SHOULD BE INSTALLED BY A QUALIFIED ELECTRICIAN TO ENSURE PROPER WIRING AND INSTALLATION.

Fig.1

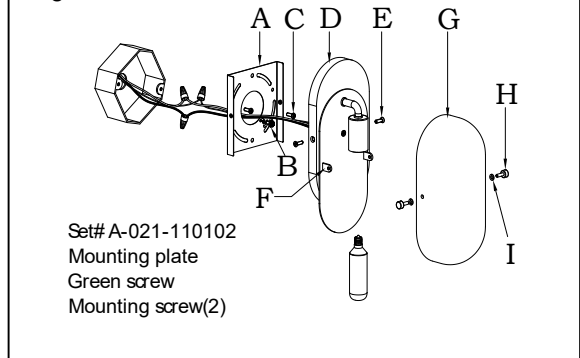
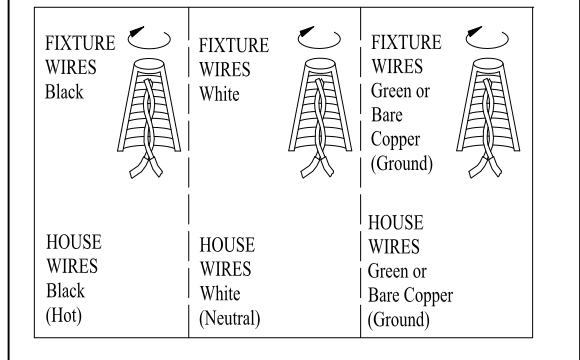


Fig. 2



MIN 75°C SUPPLY CONDUCTORS

