

INSTALLATION INSTRUCTIONS

Item#3696-732

READ AND SAVE THESE INSTRUCTIONS

WARNING! SHUT POWER OFF AT FUSE OR CIRCUIT BREAKER.
AVERTISSEMENT! COUPER LE COURANT AU NIVEAU DES FUSIBLES OU DU DISJONCTEUR.

PREPARATION (Fig. 1)

1. Shut off power at the fuse box or circuit breaker box and remove the old fixture including the mounting hardware.
2. Carefully unpack your new fixture and lay out all the parts in a clean area. Take care not to misplace any small parts necessary for installation.

ASSEMBLING THE FIXTURE(Fig.1&Fig.3)

3. Adjust the arms (K) to proper position and secure arms (K) on metal ring (L) with knob nuts (M).
4. Thread one end of rod (I) on cluster (J) and another end of rod (I) on swivel (H).
5. Determine desired hanging height. Pass the wires carefully through rods (F1, F2), lock collar (E), canopy (D), swivel (C) and secure rods (F1, F2) on coupling (G).
6. Slip lock collar (E) and canopy (D) over rods (F1, F2) and allow them to rest on fixture body.
7. Thread all thread into swivel (C) until snug. Thread another end of all thread into crossbar (A) and secure with hex nut (R). Note: The length of the all-thread into crossbar (A) may be adjusted if necessary.
8. Take crossbar assembly and mount it to junction box (not included) using the junction box screws(B) (Size: #8-32N*L1"). The side of crossbar(A) marked "GND" must face out.

CONNECTING THE WIRES (Fig. 2)

9. Connect the electrical wires as shown in Fig. 2 making sure that all wire connectors are secured. If your junction box has a ground wire (green or bare copper), connect the fixture's ground wire to it. Otherwise, connect the fixture's ground wire directly to the crossbar (A) using the green screw provided.
10. Tuck wire connections neatly into junction box (not included).

COMPLETING THE INSTALLATION (Fig. 1)

11. Thread rods (F1, F2) on swivel (C). Raise canopy (D) to junction box and secure with lock collar (E) until tight.
12. Put thread of knob nuts (P) through plastic washer (Q) and glass (N/O/S/T) and secure on fixture until snug.
13. Install (12) twelve candelabra base bulbs up to 60 watts each or CFL or LED equivalent (not included) in accordance with the fixture specification—**DO NOT EXCEED THE MAXIMUM WATTAGE RATING! (NE PAS DEPASSER LA PUISSANCE NOMINALE MAXIMALE!)**

Your installation is now complete. Return power to the junction box and test the fixture.

Note: Illustration (Fig. 1) on this manual is for installation purposes only. It may or may not be identical to the fixture purchased.

Fig. 1

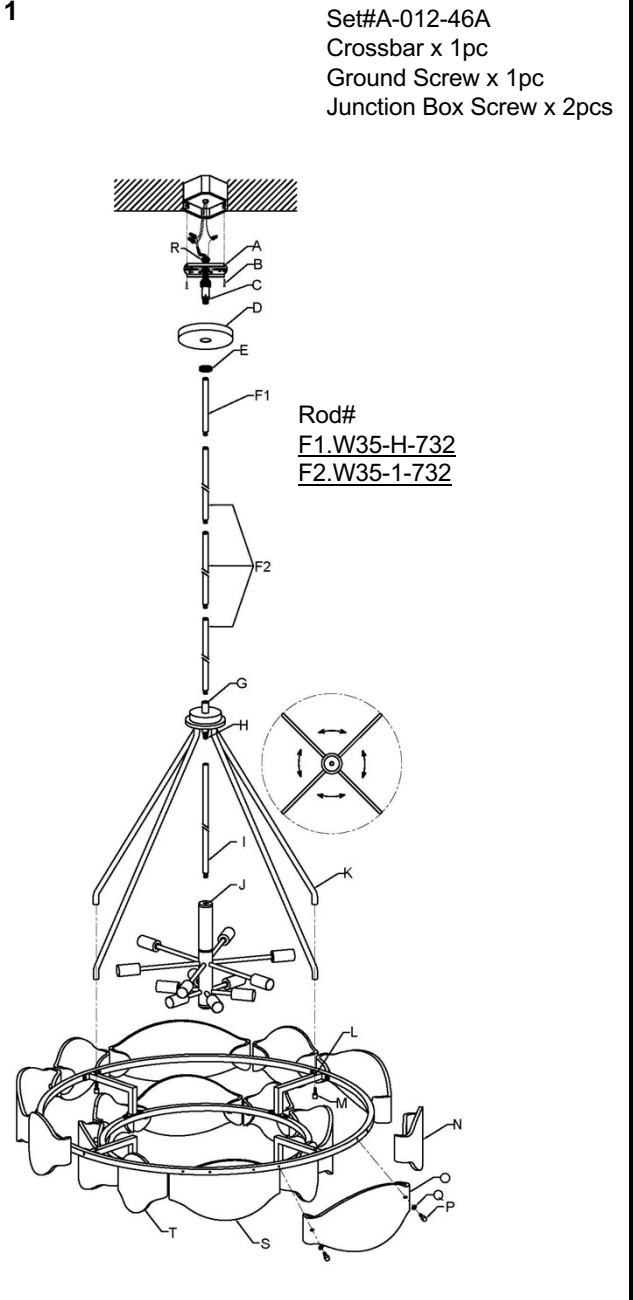


Fig. 2

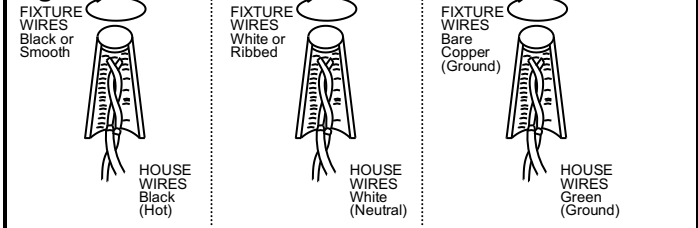
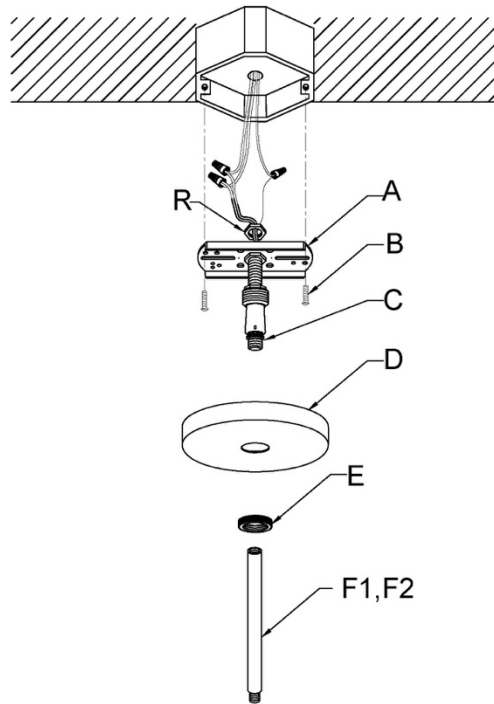
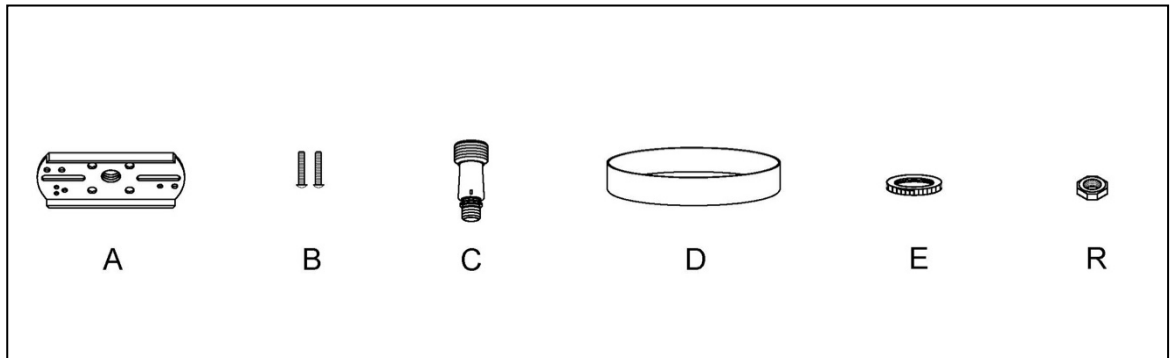


Fig.3



a. Hardware Bag

- A. Crossbar x 1pc
- B. Junction Box
Screw x 2pcs
- C. Swivel x 1pc
- D. Canopy x 1pc
- E. Lock Collar x 1pc
- R. Hex Nut x 3pcs



b. Hardware Bag

- F1. Rod 6" x 1pc
- F2. Rod 12" x 3pcs

