

INSTALLATION INSTRUCTIONS

Item#3695-732

READ AND SAVE THESE INSTRUCTIONS

WARNING! SHUT POWER OFF AT FUSE OR CIRCUIT BREAKER.
AVERTISSEMENT! COUPER LE COURANT AU NIVEAU DES FUSIBLES OU DU DISJONCTEUR.

PREPARATION (Fig. 1)

1. Shut off power at the fuse box or circuit breaker box and remove the old fixture including the mounting hardware.
2. Carefully unpack your new fixture and lay out all the parts in a clean area. Take care not to misplace any small parts necessary for installation.

ASSEMBLING THE FIXTURE (Fig.1 & Fig.3)

3. Adjust the arms (L) to proper position and secure arms (L) on metal ring (M) with knob nuts (N).
4. Thread one end of rod (J) on cluster (K) and another end of rod (J) on swivel (I).
5. Attach quick link (E) to one loop (F1) and another loop (F2) on canopy (C).
6. Determine the desired hanging height. Pass the wires carefully through rods (G1, G2), one loop (F1), quick link (E), another loop (F2) and canopy (C), thread rods (G1, G2) on coupling (H) and loop (F1).
7. Attach mounting plate (A) to the junction box (not included) with junction box screws (B) (Size: #8-32N*L1"). The side of the mounting plate (A) with "GND" marked on it and two convex points must face out.
8. The support cable (S) is provided to support weight of fixture while wiring. Align fixture to mounting plate (A) and attach the hook of support cable (S) into a slot located on mounting plate (A). Carefully allow support cable (S) to support weight of fixture while wiring (Fig.1 & Fig.3).

CONNECTING THE WIRES (Fig. 2)

9. Connect the electrical wires as shown in fig.2, making sure that all wire connectors are secured. If junction box has a ground wire (green or bare copper), connect the fixture's ground wire to it. Otherwise, connect the fixture's ground wire directly to the mounting plate (A) using the green screw provided.
10. Tuck the wire connectors neatly into the junction box.

COMPLETING THE INSTALLATION (Fig. 1)

11. Raise canopy (C) and attach to mounting plate (A), then secure with knob nuts (D).
12. Install (6) six candelabra base bulbs up to 60 watts each or CFL or LED equivalent (not included) in accordance with the fixture specification—**DO NOT EXCEED THE MAXIMUM WATTAGE RATING! (NE PAS DEPASSER LA PUISSANCE NOMINALE MAXIMALE!)**
13. Put thread of knob nut (Q) through plastic washer (R) and glass (O/P) and secure on fixture until snug. Do not over tighten.

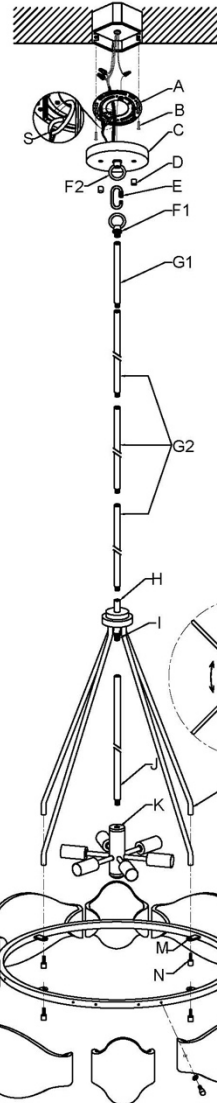
Your installation is now complete. Return power to the junction box and test the fixture.

Note:

Illustration (Fig. 1) on this manual is for installation purposes only. It may or may not be identical to the fixture purchased.

Fig. 1

- Set#A-020-A
- Mounting Plate x 1pc
- Ground Screw x 1pc
- Junction Box Screw x 2pcs



- Rod#
- G1.W30-H-732
- G2.W30-1-732

Fig. 2

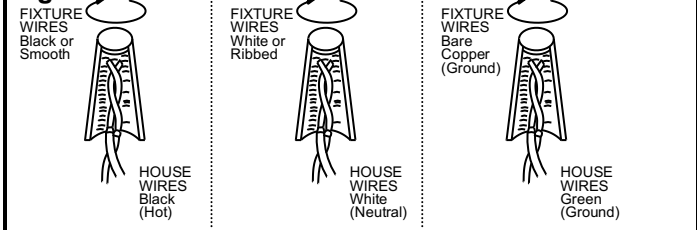
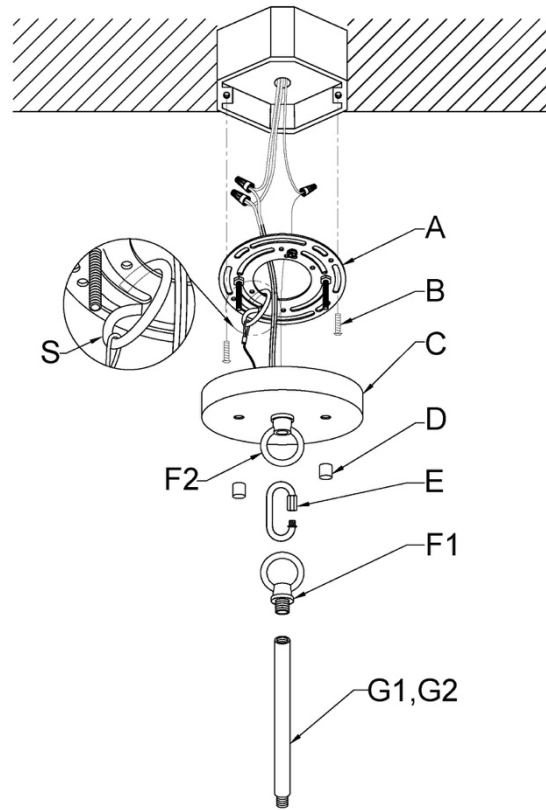
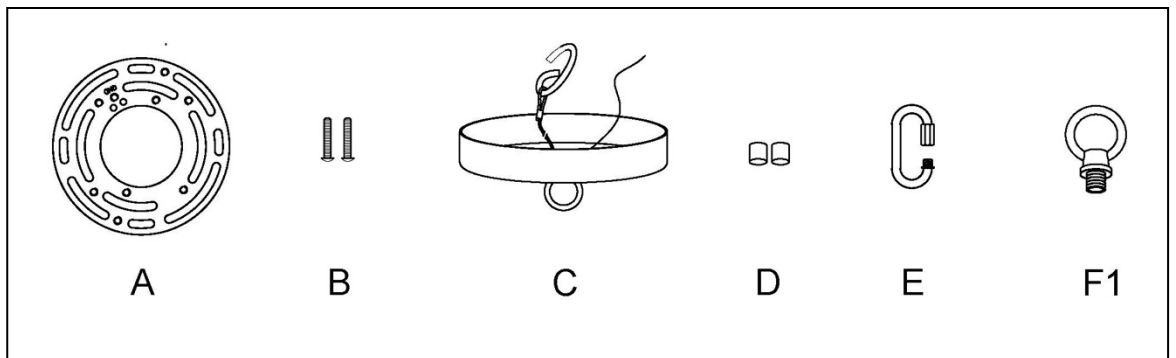


Fig.3



a. Hardware Bag

- A. Mounting Plate x 1pc
- B. Junction Box
Screw x 2pcs
- C. Canopy x 1pc
- D. Knob Nut x 2pcs
- E. Quick Link x 1pc
- F1. Loop x 1pc



b. Hardware Bag

- G1. Rod 6" x 1pc
- G2. Rod 12" x 3pcs

