

INSTALLATION INSTRUCTIONS

Item#3694-732

READ AND SAVE THESE INSTRUCTIONS

WARNING! SHUT POWER OFF AT FUSE OR CIRCUIT BREAKER.
AVERTISSEMENT! COUPER LE COURANT AU NIVEAU DES FUSIBLES OU DU DISJONCTEUR.

PREPARATION (Fig. 1)

1. Shut off the power at the fuse box or circuit breaker. If necessary, remove old fixture, including mounting hardware.
2. Carefully remove fixture from carton and check that all parts are included as shown in the illustration.

MOUNTING THE FIXTURE (Fig. 1)

3. Attach mounting plate (A) to the junction box (not included) with junction box screws (B) (Size: #8-32N*L1"). The side of the mounting plate (A) with "GND" marked on it and two convex points must face out.
4. Put thread of metal panel (G) through glass (F) and square tube (E) and secure by knob nuts (C). Do not over tighten.

CONNECTING THE WIRES (Fig. 2)

5. Connect the electrical wires as shown in Fig. 2 making sure that all wire connectors are secured. If your junction box has a ground wire (green or bare copper), connect the fixture's ground wire to it. Otherwise, connect the fixture's ground wire directly to the mounting plate (A) using the green screw provided.
6. Tuck wire connections neatly into junction box.

FINISHING THE INSTALLATION (Fig.1)

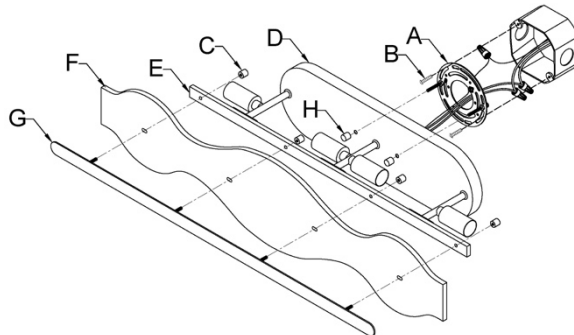
7. Raise fixture (D) to junction box and secure with knob nuts (H).
8. Install (4) four candelabra base bulbs up to 60 watts each or CFL or LED equivalent (not included) in accordance with the fixture specification—**DO NOT EXCEED THE MAXIMUM WATTAGE RATING! (NE PAS DEPASSER LA PUISSANCE NOMINALE MAXIMALE!)**.

Your installation is now complete. Return power to the junction box and test the fixture.

WARNING:MIN 90°C SUPPLY CONDUCTORS.

Note: Illustration (Fig. 1) on this manual is for installation purposes only. It may or may not be identical to the fixture purchased.

Fig.1



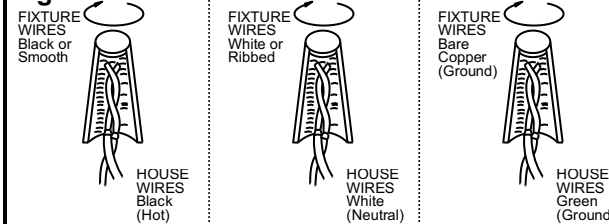
Set#A-022

-Mounting plate x 1pc

-Ground screw x 1pc

-Junction box Screw x 2pcs

Fig. 2



american
lighting
association