

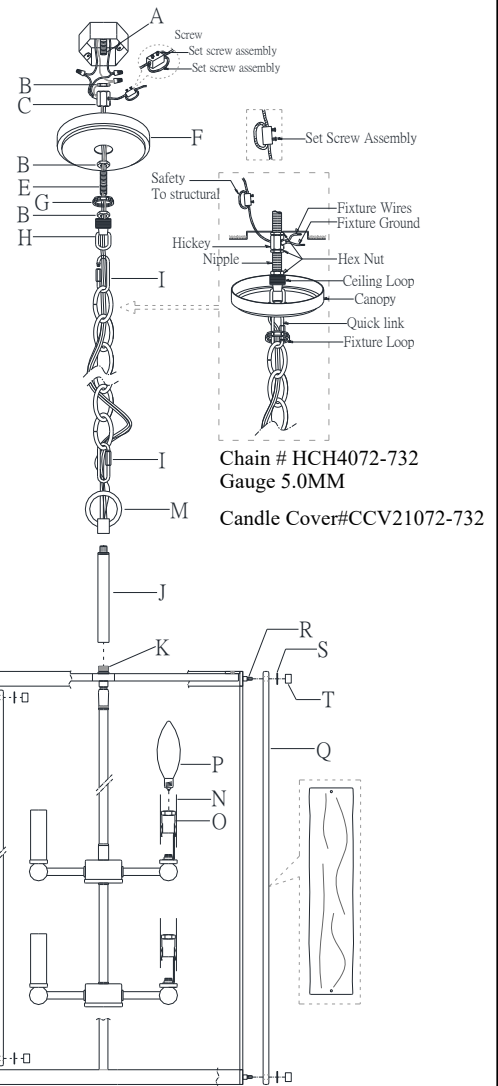
INSTALLATION INSTRUCTIONS FOR FIXTURE #3637-732

WARNING! SHUT POWER OFF AT FUSE OR CIRCUIT BREAKER.
AVERTISSEMENT! COUPER LE COURANT AU NIVEAU DES FUSIBLES OU DU DISJONCTEUR.

ASSEMBLING THE FIXTURE (FIG. 1)

1. Shut off the power at the fuse box or circuit breaker. If necessary, remove the existing fixture and its mounting hardware from the ceiling.
2. Carefully remove the new fixture from the carton and check that all parts are included as shown in the illustration.
3. Thread the column (J) onto the coupling (K) tightly, then secure the fixture loop (M) onto the column (J).
4. Put the candle sleeve (N) over the socket (O).
5. Install (6) six candelabra bulbs up to 60 watts or CFL or LED equivalent (Not included) in accordance with fixture's specifications. **(DO NOT EXCEED THE MAXIMUM WATTAGE RATING!) (NE PAS DEPASSER LA PUISSANCE NOMINALE MAXIMALE!).**
6. Assemble the glass panel (Q) onto the fixture body by protruding the screws (R) through the mounting holes on the glass panels (Q) and secure with rubber washer (S) & Nut (T) till snug.
7. By measuring, determine the correct number of links needed for the desired hanging height. Using the chain pliers, disconnect and discard the remaining chain.
8. Connect one end of chain onto the fixture loop (M) using one quick link (I). The quick link (I) must be completely closed when installed.
9. Slip the lock collar (G) and canopy (F) over the chain. Allowing them to rest onto fixture loop (M).
10. Install a 1/4" IPS pipe (A) (not provided) with one end securely mounted to a beam of a structural member. The other end should protrude through the center of the outlet box (not included) as shown.
11. Secure the hex nut (B) onto the pipe (A) and then secure the hickey (C) tightly.
12. Thread nipple (E) into hickey (C) and tighten with hex nut (B), then thread ceiling loop (H) on the other end of nipple (E) and secure with hex nut (B). The length of nipple (E) maybe adjusted if necessary.
13. Open another quick link (I) and connect another end of chain to ceiling loop (H), then thread the quick link (I) closed.
14. Feed the fixtures wires and safety cable through the chain, lock collar (G), canopy (F), ceiling loop (H) and nipple (E) and allow them to exit through the side of hickey (C). Run safety cable through the hickey (C) one circle and secure safety cable with set screw assembly and secure with set screw provided.

Fig. 1



the above drawing is for reference.

CONNECTING THE WIRES (FIG. 2)

15. At this point, connect the electrical wires as shown in Fig. 2 making sure that all wire connections are secured. If your outlet box has a ground wire (green or bare copper), connect the fixture's ground wire to it. After the wires are connected, tuck them neatly into the outlet box.
16. Raise canopy (F) onto the ceiling loop (H) to fix with lock collar (G).

Your installation is now complete. Return power to the outlet box and test the fixture.

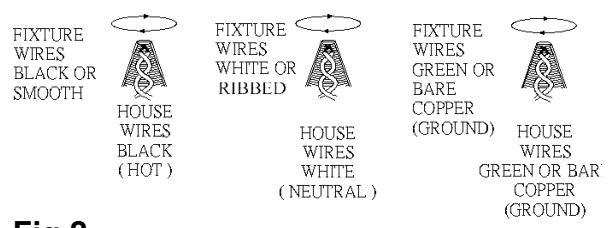


Fig.2



Notice: It is important to use proper chain pliers (not included) to OPEN and CLOSE the chain included with this fixture. Do not open them with other tools that may twist or stress the chain links. It is important to use proper chain pliers like the ones shown in the diagram.

WARNING: THIS LUMINAIRE MUST BE MOUNTED OR SUPPORTED INDEPENDENTLY OF AN OUTLET BOX