

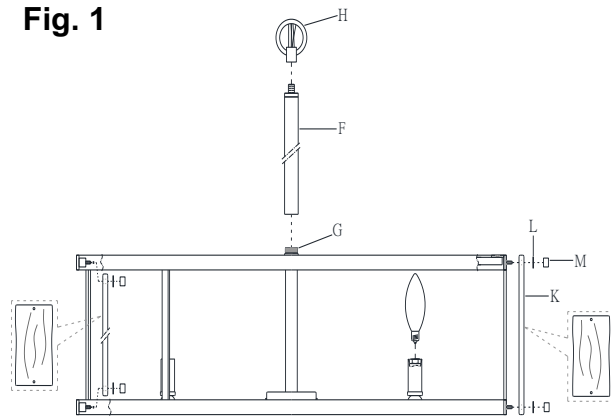
# INSTALLATION INSTRUCTIONS FOR FIXTURE #3636-732

**WARNING! SHUT POWER OFF AT FUSE OR CIRCUIT BREAKER.**  
**AVERTISSEMENT! COUPER LE COURANT AU NIVEAU DES FUSIBLES OU DU DISJONCTEUR.**

## ASSEMBLING THE FIXTURE (FIG. 1)

1. Shut off the power at the fuse box or circuit breaker. If necessary, remove the existing fixture and its mounting hardware from the ceiling.
2. Carefully remove the new fixture from the carton and check that all parts are included as shown in the illustration.
3. Thread the column (F) onto the coupling (G) tightly and then secure the fixture loop (H) onto the column (F).
4. Install the glass panel (K) onto the fixture body and secure with rubber washer (L) & nut (M).
5. Install (6) six candelabra bulbs up to 60 watts or CFL or LED equivalent (Not included) in accordance with fixture's specifications.  
**(DO NOT EXCEED THE MAXIMUM WATTAGE RATING!) (NE PAS DEPASSER LA PUISSANCE NOMINALE MAXIMALE!).**

Fig. 1

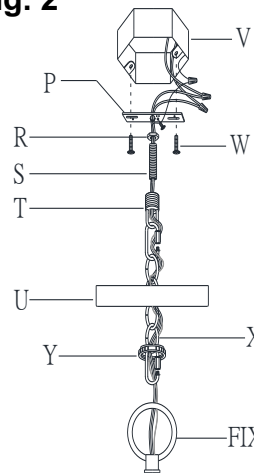


Candle Cover#CCV21072-732

## MOUNTING THE FIXTURE (FIG. 2)

6. Thread one end of nipple (S) into the crossbar (P) then place hex nut (R) over the end of nipple (S) and thread until snug.
7. Thread the ceiling loop (T) onto the nipple (S) until snug.
8. Take this crossbar assembly and mount to the ceiling outlet box (V) (not included) using outlet box screws (W). The side of crossbar (P) marked "GND" must face out. The length of nipple (S) into crossbar (P) may be adjusted if necessary.
9. By measuring, determine the correct number of links needed for the desired hanging height. Using the chain pliers, disconnect and discard the remaining chain.
10. Connect one end of the chain (X) onto the fixture loop (H) using quick link.
11. Slip the lock collar (Y) and canopy (U) over the chain (X). Allowing them to rest onto the fixture loop (H).
12. Connect the other end of chain (X) to ceiling loop (T) using quick link.
13. Carefully lace the fixture wires through the chain (X). Feed the fixture wires through the ceiling loop (T) and nipple (S) and pull tight.

Fig. 2



Set A#A-010  
 -Crossbar  
 -Ground Screw  
 -Outlet box screws (2)

Chain # HCH4072-732  
 Gauge 5.0MM

**\*\*the above drawing is for reference.\*\***

## CONNECTING THE WIRES (FIG. 3)

14. At this point, connect the electrical wires as shown in Fig. 3 making sure that all wire connections are secured. If your outlet box has a ground wire (green or bare copper), connect the fixture's ground wire to it. Otherwise, connect the fixture's ground wire directly to the crossbar (P) using the green screw provided.
15. After the wires are connected, tuck them carefully into the ceiling outlet box. Raise the canopy (U) to the ceiling then raise the lock collar (Y) and thread onto the ceiling loop (T) protruding through the canopy (U).

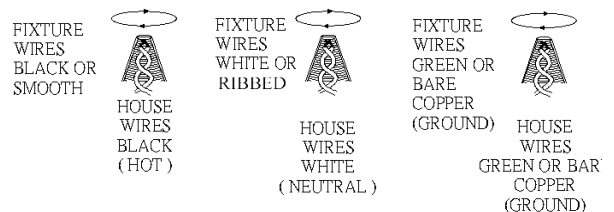


Fig.3

Your installation is now complete. Return power to the outlet box and test the fixture.



Notice: It is important to use proper chain pliers (not included) to OPEN and CLOSE the chain included with this fixture. Do not open them with other tools that may twist or stress the chain links. It is important to use proper chain pliers like the ones shown in the diagram.