

INSTALLATION INSTRUCTION FOR FIXTURE #3631-732

WARNING! SHUT POWER OFF AT FUSE OR CIRCUIT BREAKER.
AVERTISSEMENT! COUPER LE COURANT AU NIVEAU DES FUSIBLES OU DU DISJONCTEUR.

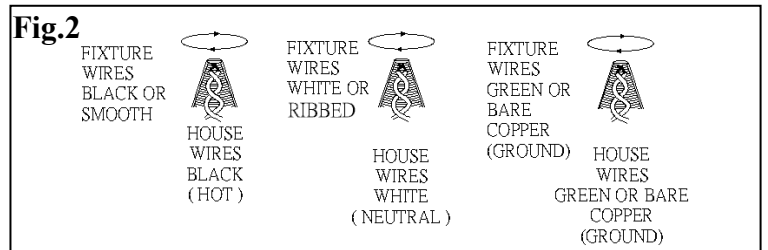
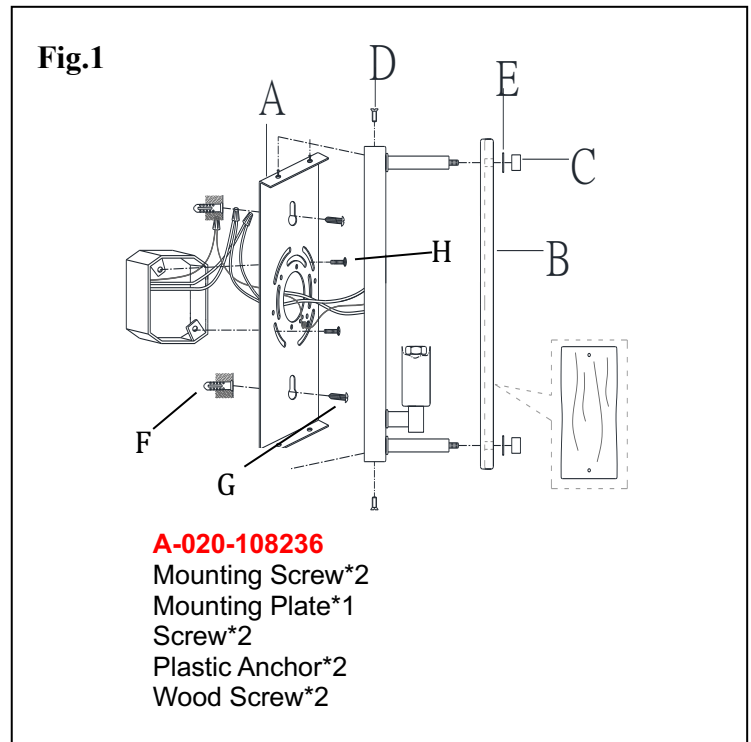
MOUNTING THE FIXTURE (FIG. 1)

1. Shut off power at the fuse box or circuit breaker box and remove the old fixture including the mounting hardware.
2. Carefully unpack your new fixture and lay out all the parts in a clean area. Take care not to misplace any small parts necessary for installation.
3. Position the mounting plate (A) on the wall, and mark location of the two plastic anchors (F). Drill the holes on the wall then insert the plastic anchors (F).
4. Attach the mounting plate (A) to the junction box (not included) using mounting screws (H). The side of the mounting plate marked "GND" must face out.
5. Secure the mounting plate (A) by inserting the wood screws (G) through the holes on the mounting plate into the plastic anchors (H).

CONNECTING THE WIRES (FIG. 2)

6. Connect the electrical wires as shown in Fig.2 making sure that all wire connectors are secured. If your outlet box has a ground wire (green or bare copper), connect fixture's ground wire to it. Otherwise, connect fixture's ground wire directly to mounting plate using green screw provided.
7. Tuck wire connections neatly into outlet box.
8. Assemble the wall plate over the mounting plate (A) and secure with screw (D).
9. Install (1) one candelabra bulb up to 60 watts or CFL or LED equivalent (Not included) in accordance with fixture's specifications. **(DO NOT EXCEED THE MAXIMUM WATTAGE RATING!) (NE PAS DEPASSER LA PUISSANCE NOMINALE MAXIMALE!).**
10. Assemble the glass panel (B) onto the fixture body and secure with rubber washer (E) & nut (C).

Your installation is now complete. Return power to the outlet box and test the fixture.



Note: Illustration (Fig. 1) & (Fig.2) on this manual is for installation purposes only. It may or may not be identical to the fixture purchased.

