

# INSTALLATION INSTRUCTIONS

Item# 3622-732

## READ AND SAVE THESE INSTRUCTIONS

**WARNING! SHUT POWER OFF AT FUSE OR CIRCUIT BREAKER.**

**AVERTISSEMENT! COUPER LE COURANT AU NIVEAU DES FUSIBLES OU DU DISJONCTEUR.**

### PREPARATION (Fig. 1)

1. Shut off power at the fuse box or circuit breaker box and remove the old fixture including the mounting hardware.
2. Carefully unpack your new fixture and lay out all the parts in a clean area. Take care not to misplace any small parts necessary for installation.
3. Loosen mounting screws (D) to remove mounting plate (B) from the fixture body (C).
4. Attach mounting plate (B) to junction box (Not included) using outlet box screws (A) (Size: #8-32N\*L1"). The side of the mounting plate (B) marked "GND" must face out.

### CONNECTING THE WIRES (Fig. 2)

5. Connect the electrical wires as shown in (Fig.2). Making sure that all wire connectors are secured. If your junction box has a ground wire (green or bare copper), connect fixture's ground wire to it. Otherwise, connect fixture's ground wire directly to mounting plate (B) using green screw (E) provided.
6. Tuck wire connectors neatly into the junction box.

### COMPLETING THE INSTALLATION (Fig. 1)

7. Placing fixture body (C) to mounting plate (B) and tighten fixture body (C) using 4 mounting screws (D). Fasten the fixture until held firmly against the wall.
8. Install (2) two candelabra base bulbs (I) up to 60 watts each or CFL or LED equivalent (not included) in accordance with the fixture specification. — **DO NOT EXCEED THE MAXIMUM WATTAGE RATING! (NE PAS DEPASSER LA PUISSANCE NOMINALE MAXIMALE!)**
9. Put the longer metal chain with glass shade (H) into the side of hole on the fixture body (C) and wrap in a circle as shown. Then put the shorter metal chain with glass shade (G) into the next hole on the fixture body (C) and wrap in a circle as shown. Step by step in this way to finish secure the glass.

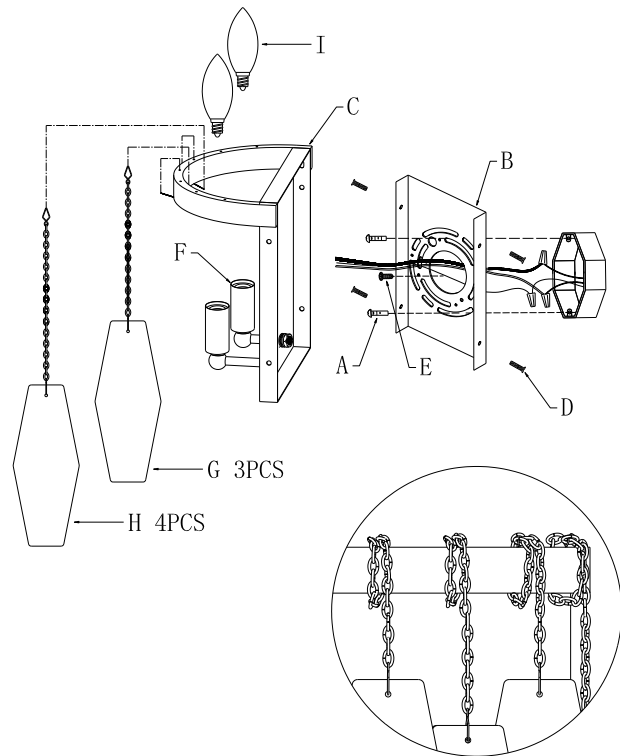
Your installation is now complete. Return power to the junction box and test the fixture.

**Note: Illustration (Fig. 1) on this manual is for installation purposes only. It may or may not be identical to the fixture purchased.**

**Fig. 1**

Set# A-020-203200

- Mounting Plate\*1
- Ground Screw\*1
- Mounting Screw\*4
- Outlet Box Screw\*2



**Fig. 2**

