

INSTALLATION INSTRUCTION

Item# 3619

READ AND SAVE THESE INSTRUCTIONS

WARNING! SHUT POWER OFF AT FUSE OR CIRCUIT BREAKER .
AVERTISSEMENT! COUPER LE COURANT AU NIVEAU DES FUSIBLES OU DU DISJONCTEUR.

PREPARATION

1. Shut off the power at the circuit breaker and remove the old fixture, including the mounting hardware.
2. Carefully remove the fixture from the carton and check that all parts are included as shown in the illustration.

HANGING THE FIXTURE (Fig.2)

3. Thread all thread (E) into ceiling loop (G) until snug.
4. Thread hex nut (D) onto all thread (E). Place lock washer (C) over end of all thread (E).
5. Thread the other end of all thread (E) with the loop into crossbar (A) until snug. The length of all thread (E) into crossbar (A) may be adjusted if necessary.
6. Take crossbar (A) assembly and mount to ceiling junction box (Not provided) using mounting screws (B) (Size: #8-32*0.6"L). The side of the crossbar marked "GND" must face out.
7. Use quick link (I) to connect chain (J) and the fixture loop (K).
8. Determine hanging height and use a pair of proper chain pliers to remove and discard excess chain.
9. Carefully lace fixture wires through the chain links, slip collar ring (H) and canopy (F) over the chain (J).
10. Use quick link (I) to connect ceiling loop (G) and the top of chain (J).
11. Feed the fixture wires through the ceiling loop (G) and all thread (E) and pull until taut.

CONNECTING THE WIRES (Fig.3)

12. Connect the electrical wires as shown in Fig.3. Making sure that all wire connectors are secured. If your junction box has a ground wire (green or bare copper), connect the ground wires to it. Otherwise, connect the ground wire directly to the crossbar (A) using green screw provided.
13. Tuck wire connections neatly inside the junction box.

COMPLETING THE INSTALLATION (Fig.1 & Fig.2)

14. Raise the collar ring (H) and thread onto ceiling loop (G) protruding through canopy (F). (Fig.2)
15. Loosen the ball nuts (N) until the glass (L) can enter in the slot (M). **NOTE:** Do not remove the ball nuts (N) completely.
16. Slide both ends of glass panels (L) into the slots (M), then secure with ball nuts (N). (Fig.1)
17. **NOTE:** Install glass panels (a, b) from the inside out in sequence.
18. Install (8) eight candelabra base bulbs up to 60 watts each or CFL or LED equivalent (Not included) in accordance with the fixture specification. **(DO NOT EXCEED THE SPECIFIED WATTAGE!) (NE PAS DEPASSER LA PUISSANCE NOMINALE MAXIMALE!)**

Your installation is now complete. Return the power to the junction box and test the fixture.

Fig.1

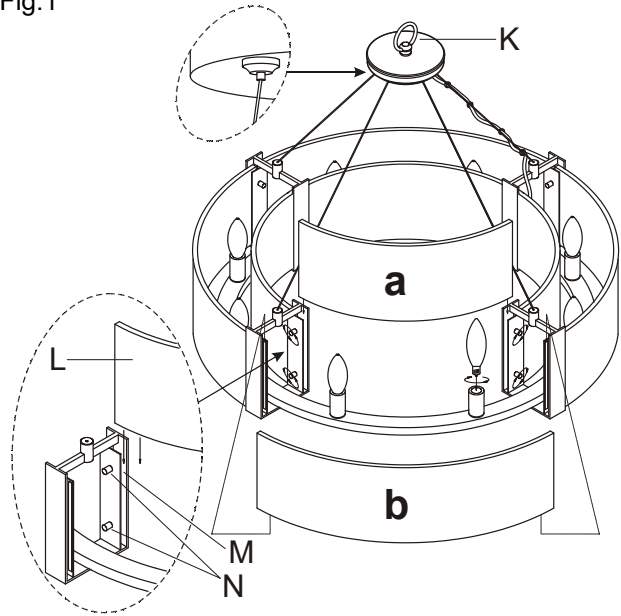
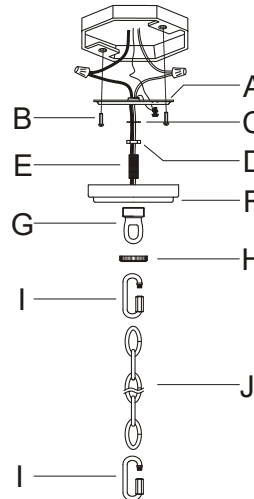
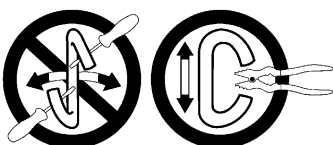
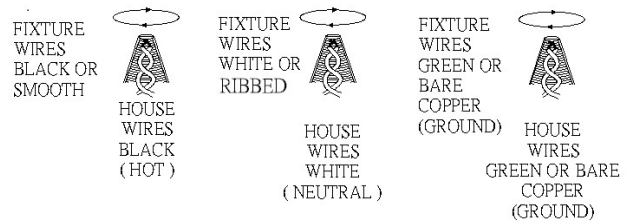


Fig. 2



Set#A-021-110047
 -Crossbar
 -Ground screw
 -Junction box screws*2
 -Hex nut*1
 -Lock washer*1
 -All thread*1

Fig.3



Notice: It is important to use proper chain pliers (not included) To OPEN and CLOSE the chain included with this fixture. Do not open them with other tools that may twist or stress the chain links. It is important to use proper chain pliers like the ones shown in the diagram.

