

INSTALLATION INSTRUCTION FOR 3617

WARNING! SHUT POWER OFF AT FUSE OR CIRCUIT BREAKER .
AVERTISSEMENT! COUPER LE COURANT AU NIVEAU DES FUSIBLES OU DU DISJONCTEUR.

READ AND SAVE THESE INSTRUCTIONS

PREPATION

1. Shut off the power at the fuse box or circuit breaker box. If necessary, remove the old fixture and all mounting hardware from junction box.
2. Carefully unpack your new fixture and lay out all the parts on a clear area. Take care not to lose any parts necessary for installation.

ASSEMBLING THE FIXTURE(Fig.1)

3. If center tube (U) is loose, tighten coupling (P).
4. Install glass panels (R, T) onto metal frame (Q), and secure with plastic washers (V) and screws (S).
5. Determine the desired hanging height and thread rods (L, M, N, O) to couplings (P). Then thread loops (K) onto rods (L). Pass wires carefully through each rod, loop (K) and loop (I) of canopy (G). Use quick links (J) to connect loops (K) and loops (I).

MOUNTING THE FIXTURE (Fig.1)

6. Position mounting plate (B) through the fixing holes onto ceiling and make marks, drill pilot holes for wood screws (C) into the ceiling, then insert plastic anchors (A) (Size: 067-1) into the holes.
7. Secure mounting plate (B) to junction box with junction box screws (E) (Size: #8-32*0.6"L), then insert wood screws (C) (Size: 8#x1"L) into plastic anchors (A) in the ceiling.
8. The support cable is provided to support the weight of the fixture while wiring. Attach the hook (F) on the end of the support cable to the mounting plate (B). Carefully allow the support cable to support the weight of the fixture while wiring.

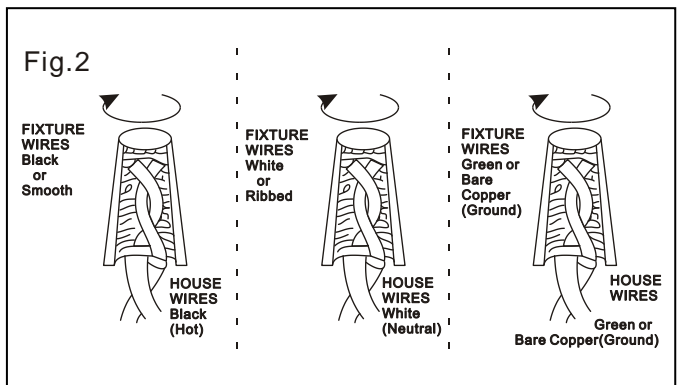
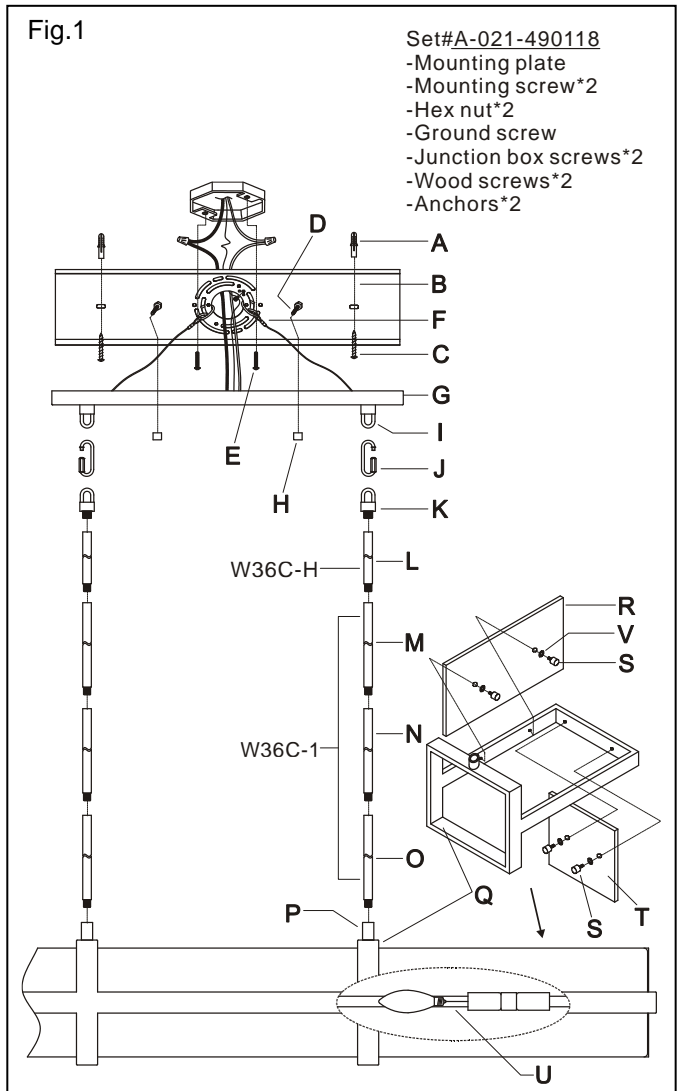
CONNECTING THE WIRES (Fig.2)

9. Connect the electrical wires as shown in Fig.2, making sure all wire connectors are secured. If your junction box has a ground wire (green or bare copper), connect ground wires to it. Otherwise, connect ground wire directly to mounting plate (A) using the green screw provided.
10. Tuck wire connectors neatly inside the junction box.

COMPLETING THE INSTALLATION (Fig. 1)

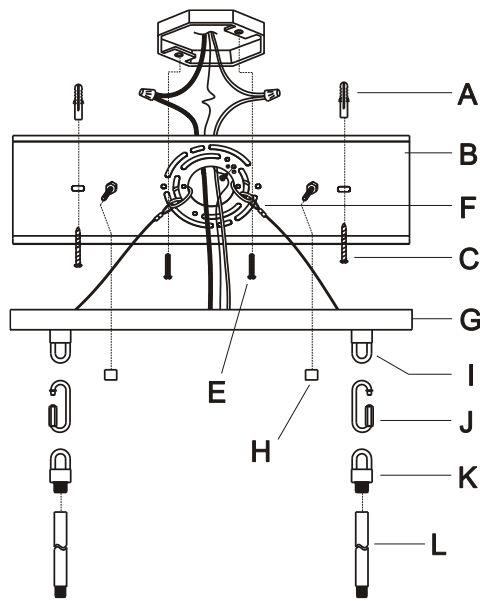
11. Place canopy (G) to mounting plate (B), and secure with cap nuts (H).
12. Install (12) twelve candelabra base bulbs up to 60 watts each or CFL or LED equivalent (not included) in accordance with the fixture specification.

(DO NOT EXCEED THE SPECIFIED WATTAGE!) (NE PAS DEPASSER LA PUISSANCE NOMINALE MAXIMALE!)



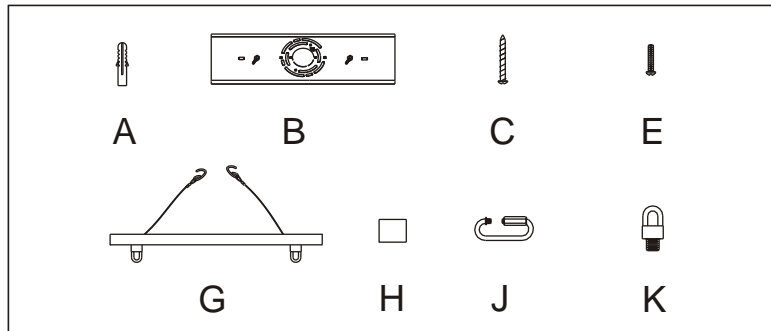
Your installation is now complete. Return power to the junction box and test the fixture.





a. Hardware Bag:

- A. plastic Anchors *2
- B. Mounting Plate *1
- C. Wood Screws *2
- E. Junction Box Screws *2
- G. Canopy *1
- H. Cap Nuts *2
- J. Quick Link *2
- K. Loop *2



b. Hardware Bag:

- M, N, O. Rod 12" *6
- L Rod 6" *2

