

INSTALLATION INSTRUCTION FOR 3615

WARNING! SHUT POWER OFF AT FUSE OR CIRCUIT BREAKER .
AVERTISSEMENT! COUPER LE COURANT AU NIVEAU DES FUSIBLES OU DU DISJONCTEUR.

READ AND SAVE THESE INSTRUCTIONS

PREPARATION

1. Shut off the power at the circuit breaker box and, if necessary, remove the old fixture, including the mounting hardware.
2. Carefully unpack your new fixture and lay out all the parts on a clear area. Take care not to lose any small parts necessary for installation.

ASSEMBLING THE FIXTURE(Fig.1)

3. Install glass panels (H) onto tube (G), and secure with plastic washers (J) and screws (I).

MOUNTING THE FIXTURE (Fig.1)

4. Position mounting plate (C) through the fixing holes onto wall and make marks, drill pilot holes for wood screws (B) into the wall, then insert plastic anchors (A) (Size: 067-1) into the holes.
5. Secure mounting plate (C) to junction box (Not included) with junction box screws (D) (Size: #8-32*0.6"L) then insert wood screws (B) (Size: 8#x1"L) into plastic anchors (A) in the wall.

CONNECTING THE WIRES (Fig. 2)

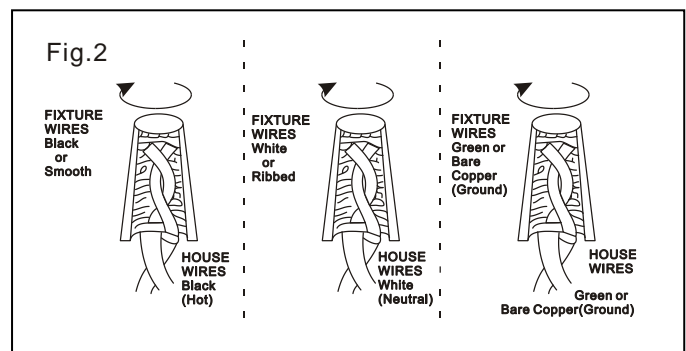
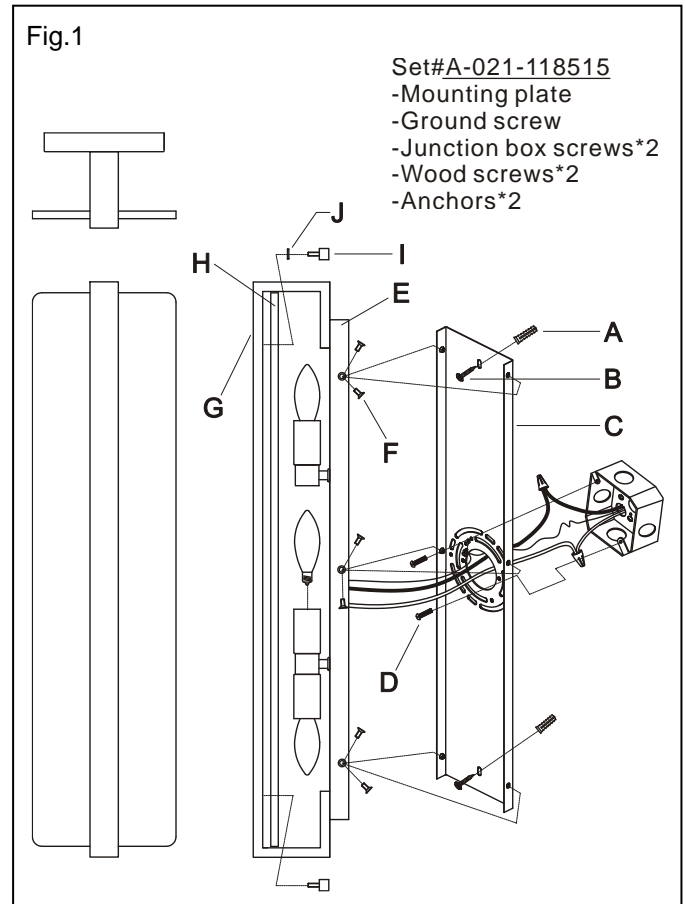
6. Connect the electrical wires as shown in Fig. 2, make sure all wire connectors are secured. If your junction box has a ground wire (green or bare copper) connect fixture's ground wire to it. Otherwise, connect fixture's ground wire directly to mounting plate using the green screw provided.
7. Tuck wire connections neatly inside the junction box.

COMPLETING THE INSTALLATION (Fig. 1)

8. Mount fixture body (E) to mounting plate (C), and secure with mounting screws (F).
9. Install (3) three candelabra base bulbs up to 60 watts each or CFL or LED equivalent (not included) in accordance with the fixture specification.

(DO NOT EXCEED THE SPECIFIED WATTAGE!)
(NE PAS DEPASSER LA PUISSANCE NOMINALE MAXIMALE!)

Your installation is now complete. Return the power to the junction box and test the fixture.



Min 75°C supply conductors

