

INSTALLATION INSTRUCTION

Item# 3614

READ AND SAVE THESE INSTRUCTIONS

WARNING! SHUT POWER OFF AT FUSE OR CIRCUIT BREAKER .
AVERTISSEMENT! COUPER LE COURANT AU NIVEAU DES FUSIBLES OU DU DISJONCTEUR.

PREPARATION

1. Shut off the power at the fuse box or circuit breaker box. If necessary, remove the old fixture and all mounting hardware from junction box.
2. Carefully unpack your new fixture and lay out all the parts on a clear area. Take care not to lose any parts necessary for installation.

ASSEMBLING THE FIXTURE (Fig.1)

3. Loosen the ball nuts (J) until the glass (G) can enter in the slot (I). **NOTE:** Do not remove the ball nuts (J) completely.
4. Slide both ends of glass panels (G) into the slots (I), then secure with ball nuts (J).
5. Repeat step 3 and 4 for glass panels (H).

MOUNTING THE FIXTURE (Fig.1)

6. Thread two mounting screws (A) (Size: #8-32*1.4"L) into circular strap (B) spaced same distance apart as holes in canopy (E). Length of mounting screws (A) into circular strap (B) may be adjusted if necessary. Attach circular strap (B) to junction box (Not provided) using junction box screws (C) (Size: #8-32*0.6"). The side of circular strap (B) marked "GND" must face out.
7. The support cable is provided to support the weight of fixture while wiring. Attach the hook (D) on the end of support cable to the circular strap (B). Carefully allow support cable to support the weight of fixture while wiring.

CONNECTING THE WIRES (Fig.2)

8. Connect the electrical wires as shown in Fig.2. Making sure that all wire connectors are secured. If your junction box has a ground wire (green or bare copper), connect ground wires to it. Otherwise, connect ground wire directly to the circular strap (B) and secure using green screw provided.
9. Tuck wire connectors neatly inside junction box.

COMPLETING THE INSTALLATION (Fig. 1)

10. Raise the canopy (E) over the mounting screws (A) and secure with cap nuts (F).
11. Install (4) four candelabra base bulb up to 60 watts each or CFL or LED equivalent (not included) in accordance with the fixture specification. (DO NOT EXCEED THE SPECIFIED WATTAGE!) (NE PAS DEPASSER LA PUISSANCE NOMINALE MAXIMALE!)

Your installation is now complete. Return power to the junction box and test the fixture.

Fig.1

Set#A-020
-Circular strap
-Ground screw
-Mounting screws*2
-Junction box screws*2

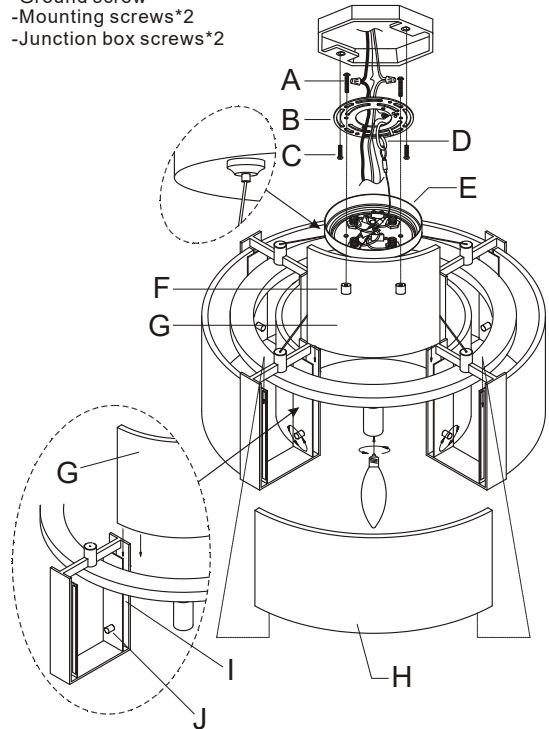


Fig.2

