

# INSTALLATION INSTRUCTION

Item# 3610

## READ AND SAVE THESE INSTRUCTIONS

**WARNING! SHUT POWER OFF AT FUSE OR CIRCUIT BREAKER .**  
**AVERTISSEMENT! COUPER LE COURANT AU NIVEAU DES FUSIBLES OU DU DISJONCTEUR.**

### PREPARATION

1. Shut off the power at the circuit breaker and remove the old fixture, including the mounting hardware.
2. Carefully remove the fixture from the carton and check that all parts are included as shown in the illustration.
3. Thread the coupling (N) onto all thread (O) on frame (Fig.1).

### HANGING THE FIXTURE (Fig. 2)

**IMPORTANT:** For a safe and secure installation, this fixture must be installed by means of support that is independent of the outlet box.

4. Install a 1/4" IPS pipe (A) (Not provided) with one end securely mounted to a beam of a structural member. The other end should protrude through the center of the junction box as shown in Fig.2.
5. Use the nut (B) to secure the hickey (C) onto all thread from customer unit (Not provided).
6. Thread hex nut (B) onto all thread (D), then thread all thread (D) into hickey (C), and secure with nut (B). Thread hex nut (B) onto all thread (D), then thread the ceiling loop (I) onto all thread (D), and secure with nut (B).
7. Use quick link (K) to connect chain (L) and the fixture loop (M).
8. Determine hanging height and use a pair of proper chain pliers to remove and discard excess chain.
9. Carefully lace fixture wires through the chain links, slip collar ring (J) and canopy (H) over the chain (L).
10. Use quick link (K) to connect ceiling loop (I) and the top of chain (L).
12. Feed fixture wires and safety cable (G) through ceiling loop (I), and all thread (D) and allow them to exit through the side of hickey (C).
13. Run safety cable (G) through hickey (C) and secure safety cable with set screw assembly (E) and set screws (F).

### CONNECTING THE WIRES (Fig. 3)

14. Connect the electrical wires as shown in Fig.3. Making sure that all wire connectors are secured. If your junction box has a ground wire (green or bare copper), connect the ground wires to it.

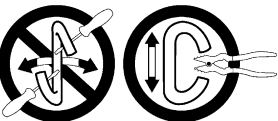
15. Tuck wire connections neatly inside the junction box.

### COMPLETING THE INSTALLATION (Fig.1 & Fig.2)

16. Raise the collar ring (J) and thread onto ceiling loop (I) protruding through canopy (H). (Fig.2)
17. Loosen the ball nuts (R) until the glass (P) can enter in the slot (Q). **NOTE:** Do not remove the ball nuts (R) completely.
18. Slide both ends of glass panels (P) into the slots (Q), then secure with ball nuts (R). (Fig.1)  
**NOTE:** Install glass panels (a, b, c, d) from the inside out in sequence.
19. Install (20) twenty candelabra base bulbs up to 60 watts each or CFL or LED equivalent (Not included) in accordance with the fixture specification. **(DO NOT EXCEED THE SPECIFIED WATTAGE!) (NE PAS DEPASSER LA PUISSANCE NOMINALE MAXIMALE!)**

Your installation is now complete. Return the power to the junction box and test the fixture.

**THIS LUMINAIRE MUST BE MOUNTED OR SUPPORTED INDEPENDENTLY OF AN OUTLET BOX.**



Notice: It is important to use proper chain pliers (not included) to OPEN and CLOSE the chain included with this fixture. Do not open them with other tools that may twist or stress the chain links. It is important to use proper chain pliers like the ones shown in the diagram.

Fig.1

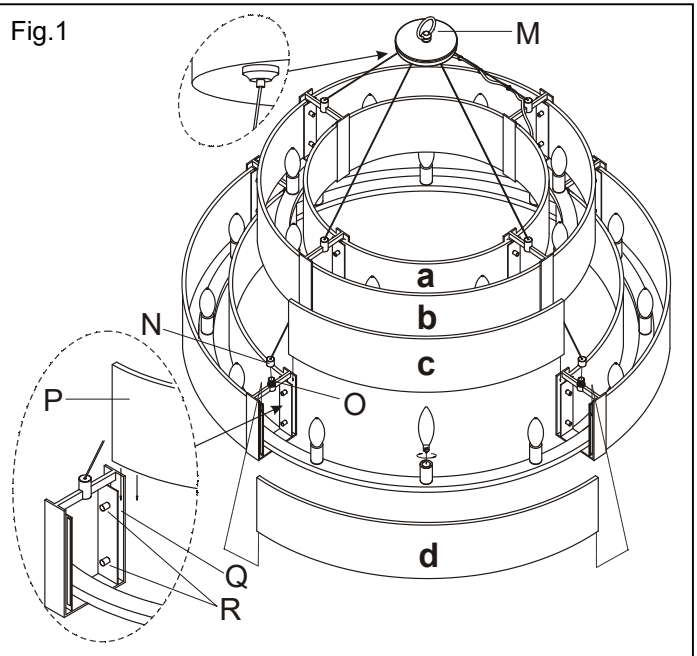


Fig.2

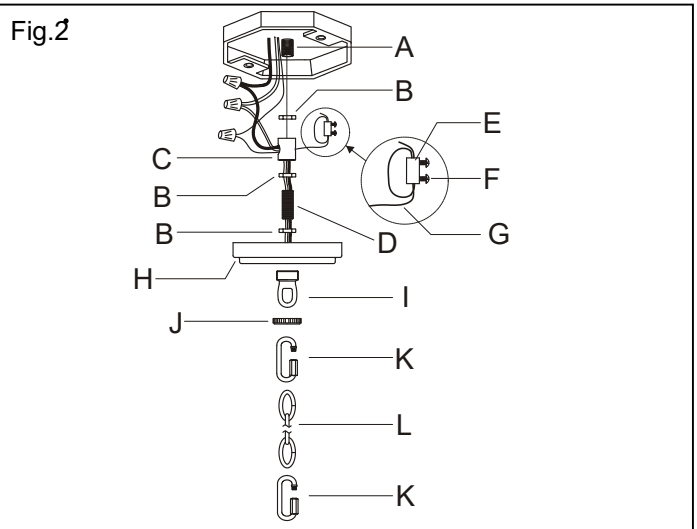


Fig.3

