

INSTALLATION INSTRUCTIONS

Item#3598-864-L (New.06/04/2024)

READ AND SAVE THESE INSTRUCTIONS

WARNING! SHUT POWER OFF AT FUSE OR CIRCUIT BREAKER.

AVERTISSEMENT! COUPER LE COURANT AU NIVEAU DES FUSIBLES OU DU DISJONCTEUR.

PREPARATION (Fig. 1)

1. Shut off power at the fuse box or circuit breaker box and remove the old fixture including the mounting hardware.
2. Carefully unpack your new fixture and lay out all the parts in a clean area. Take care not to misplace any small parts necessary for installation.

ASSEMBLING THE FIXTURE (Fig.1 & Fig.3)

3. Loosen mounting screw (C) to remove mounting plate (B) from canopy (G). Position mounting plate (B) to ceiling and mark location of the four mounting holes. Pre-drill the holes for plastic anchors (A). Insert plastic anchors (A) into ceiling.
4. Attach mounting plate (B) to junction box (Not included) using junction box screws (E). The side of mounting plate (B) marked "GND" must face out.
5. Secure mounting plate (B) by threading wood screw (D) through the holes on mounting plate (B) into plastic anchors (A).
6. Secure rod (J) to hook (K) and hook (I).
7. Determine the desired hanging height. Thread one end of rod (H1 or H2) to coupling (N) and secure another end of rod (H1 or H2) to swivel (O). Pass wires carefully through each rod during assembly.
8. Connect driver output wire to LED wire and secure with wire nuts (F) as below:
 - Red driver output wire (labeled LED 1+) to smooth LED wire (labeled LED 1+).
 - Yellow driver output wire (labeled LED 1-) to ribbed LED wire (labeled LED 1-).
 - Red driver output wire (labeled LED 2+) to smooth LED wire (labeled LED 2+).
 - Yellow driver output wire (labeled LED 2-) to ribbed LED wire (labeled LED 2-).
9. The support cable (P) is provided to support weight of fixture while wiring. Align fixture to mounting plate (B) and attach the hook of support cable (P) into a slot located on mounting plate (B). Carefully allow support cable (P) to support weight of fixture while wiring (Fig.1 & Fig.3).

CONNECTING THE WIRES (Fig. 2)

10. Connect the electrical wires as shown in Fig.2, making sure that all wire connectors are secured. If junction box has a ground wire (green or bare copper), connect the fixture's ground wire to it. Otherwise, connect the fixture's ground wire directly to mounting plate (B) using the green screw provided.
11. Tuck the wire connectors neatly into the junction box.

COMPLETING THE INSTALLATION (Fig. 1)

12. Raise canopy (G) and align the holes with mounting plate (B) and secure with mounting screws (C) (Size: #8-32N*L0.5").
13. Secure alabaster shades (L and M) to fixture body. Do not over tighten.

Note: Small alabaster shade (L) to match frosted LED cover, large alabaster shade (M) to match clear LED cover.

Fig. 1

Set#A-020-172
Mounting Plate x1pc
Ground Screw x1pc
Junction Box Screw x2pcs

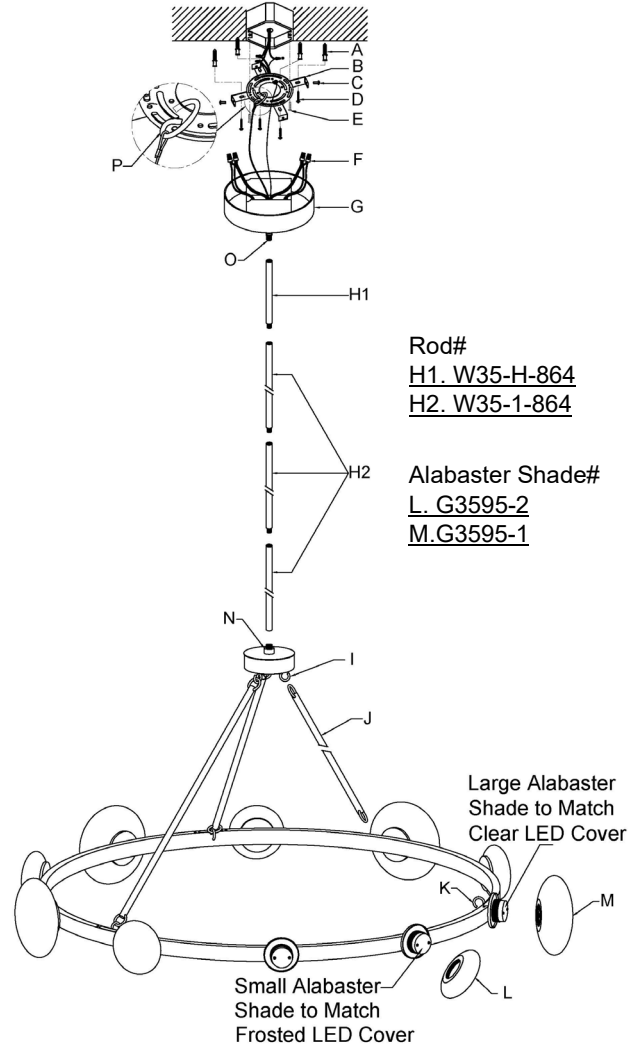
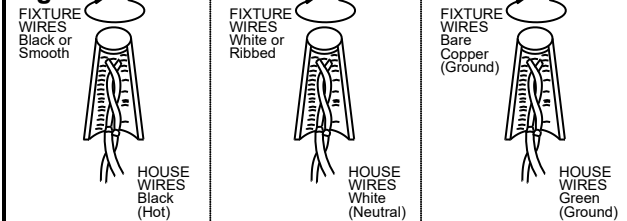


Fig. 2

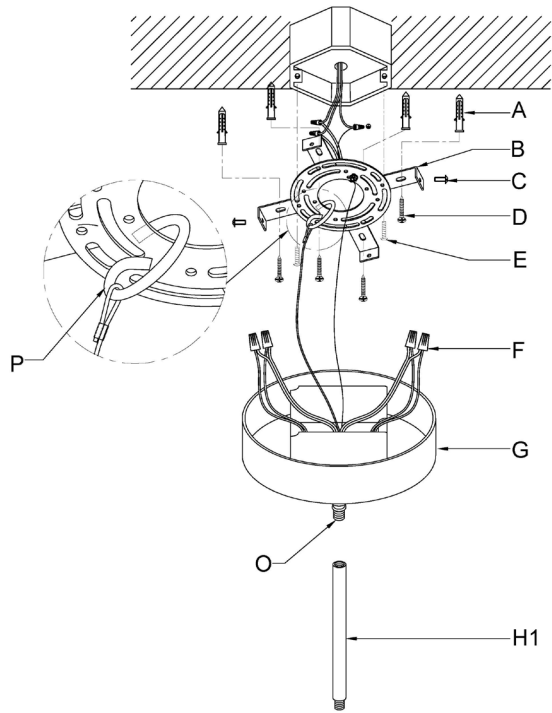


Dimmable with ELV and/or LED compatible wall dimmer switches.

Your installation is now complete. Return power to the junction box and test the fixture.

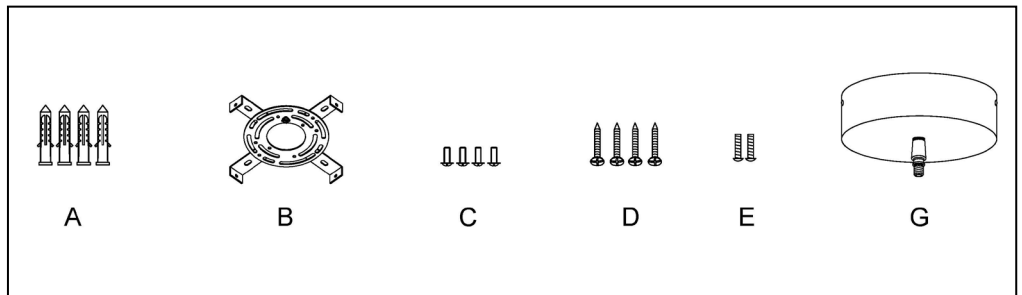
Note: Illustration (Fig. 1) on this manual is for installation purposes only. It may or may not be identical to the fixture purchased.

Fig.3



a. Hardware Bag

- A. Plastic Anchor x 4pcs
- B. Mounting Plate x 1pc
- C. Mounting Screw x 4pcs
- D. Wood Screw x 4pcs
- E. Junction Box
Screw x 2pcs
- G. Canopy x 1pc



b. Hardware Bag

- H1. Rod 6" x1pc
- H2. Rod 12" x3pcs

