

INSTALLATION INSTRUCTIONS

Item#3595-864-L (New.06/04/2024)

READ AND SAVE THESE INSTRUCTIONS

WARNING! SHUT POWER OFF AT FUSE OR CIRCUIT BREAKER.

AVERTISSEMENT! COUPER LE COURANT AU NIVEAU DES FUSIBLES OU DU DISJONCTEUR.

PREPARATION (Fig. 1)

1. Shut off power at the fuse box or circuit breaker box and remove the old fixture including the mounting hardware.
2. Carefully unpack your new fixture and lay out all the parts in a clean area. Take care not to misplace any small parts necessary for installation.

ASSEMBLING THE FIXTURE (Fig.1 & Fig.3)

3. Loosen Mounting screw (B) to remove mounting plate (A) from canopy (E).
4. Attach mounting plate (A) to the junction box (Not included) with junction box screws (C) (Size: #8-32N*L1"). The side of mounting plate (A) marked with "GND" and two convex points must face out.
5. Determine the desired hanging height. Thread one end of rod (F1 or F2) to coupling (G) and secure another end of rod (F1 or F2) to swivel (J). Pass wires carefully through each rod during assembly.
6. Connect driver output wire to LED wire and secure with wire nuts (D) as below:
 - Red driver output wire (labeled LED+) to smooth LED wire (labeled LED+).
 - Yellow driver output wire (labeled LED-) to ribbed LED wire (labeled LED-).

CONNECTING THE WIRES (Fig. 2)

7. Connect the electrical wires as shown in Fig.2, making sure that all wire connectors are secured. If junction box has a ground wire (green or bare copper), connect the fixture's ground wire to it. Otherwise, connect the fixture's ground wire directly to mounting plate (A) using the green screw provided.
8. Tuck the wire connectors neatly into the junction box.

COMPLETING THE INSTALLATION (Fig. 1)

9. Raise canopy (E) and align the holes with mounting plate (A) and secure with mounting screws (B) (Size: #8-32N*L0.5").
10. Secure alabaster shades (H and I) to fixture body. Do not over tighten.
Note: Small alabaster shade (H) to match frosted LED cover, large alabaster shade (I) to match clear LED cover.
Dimmable with ELV and/or LED compatible wall dimmer switches.

Your installation is now complete. Return power to the junction box and test the fixture.

Note: Illustration (Fig. 1) on this manual is for installation purposes only. It may or may not be identical to the fixture purchased.

Fig. 1

Set#A-022-115A
Mounting Plate x 1pc
Ground Screw x 1pc
Junction box Screw x 2pcs

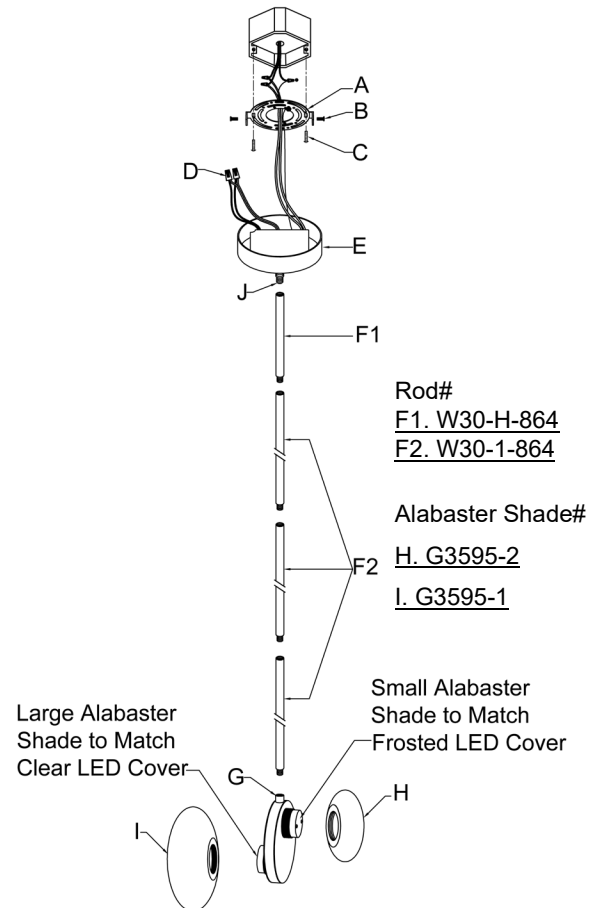


Fig. 2

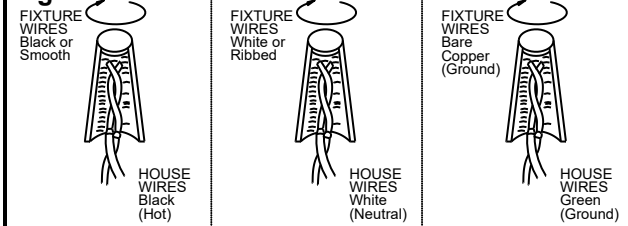
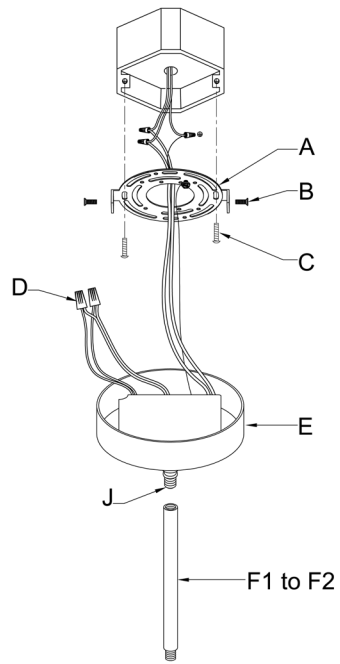
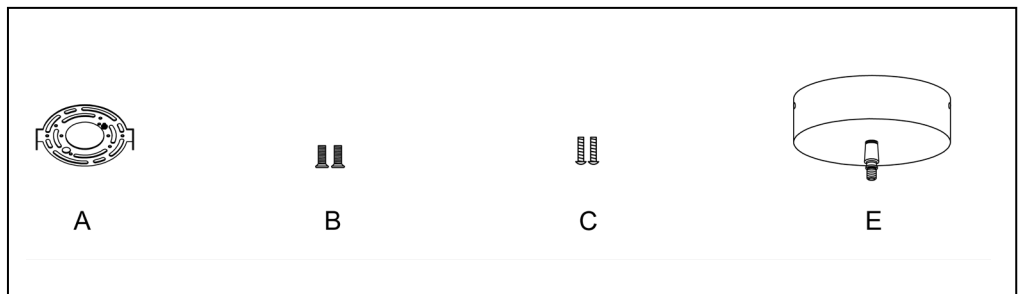


Fig.3



a. Hardware Bag

- A. Mounting Plate x 1pc
- B. Mounting Screw x 2pcs
- C. Junction Box
Screw x 2pcs
- E. Canopy x 1 pc



b. Hardware Bag

- F1. Rod 6" x 1pc
- F2. Rod 12" x 3pcs

