

INSTALLATION INSTRUCTIONS

Item# 3593-864-L

READ AND SAVE THESE INSTRUCTIONS

WARNING! SHUT POWER OFF AT FUSE OR CIRCUIT BREAKER.

AVERTISSEMENT! COUPER LE COURANT AU NIVEAU DES FUSIBLES OU DU DISJONCTEUR.

PREPARATION (Fig. 1)

1. Shut off power at the fuse box or circuit breaker box and remove the old fixture including the mounting hardware.
2. Carefully unpack your new fixture and lay out all the parts in a clean area. Take care not to misplace any small parts necessary for installation.

ASSEMBLING THE FIXTURE (Fig.1)

3. Loosen mounting screw (D) to remove mounting plate (A) from fixture (C).
4. Attach mounting plate (A) to the junction box (not included) with junction box screws (B) (Size: #8-32N*L1"). The side of the mounting plate (A) with "GND" marked on it and two convex points must face out.

CONNECTING THE WIRES (Fig. 2)

5. Connect the electrical wires as shown in Fig.2, making sure that all wire connectors are secured. If junction box has a ground wire (green or bare copper), connect the fixture's ground wire to it. Otherwise, connect the fixture's ground wire directly to mounting plate (A) using the green screw provided.
6. Tuck the wire connectors neatly into the junction box.

COMPLETING THE INSTALLATION (Fig. 1)

7. Raise fixture (C) to junction box and secure with mounting screws (D).
8. Secure alabaster shades (E) on fixture (C). Do not over tighten

Dimmable with ELV and/or LED compatible wall dimmer switches.

Your installation is now complete. Return power to the junction box and test the fixture.

Note: Illustration (Fig. 1) on this manual is for installation purposes only. It may or may not be identical to the fixture purchased.

Fig. 1

Set#A-020-112
Mounting Plate x 1pc
Ground Screw x 1pc
Junction Box Screw x 2pcs

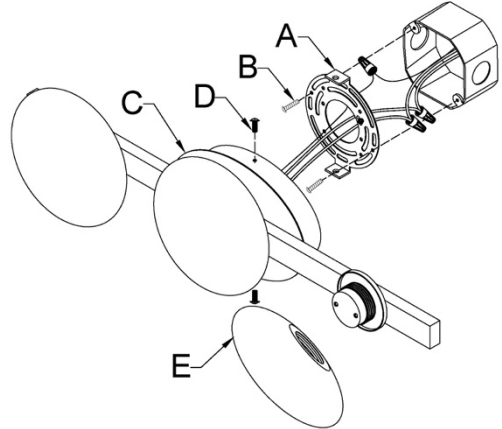
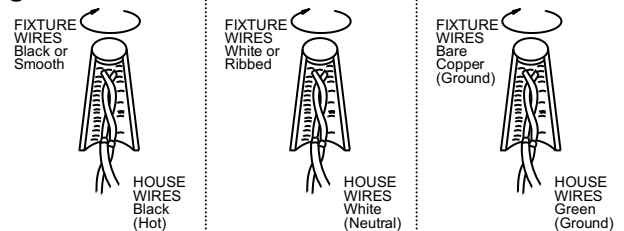


Fig. 2



LA-3279E