

INSTALLATION INSTRUCTIONS

Item#3492-732,3493-732

READ AND SAVE THESE INSTRUCTIONS

WARNING! SHUT POWER OFF AT FUSE OR CIRCUIT BREAKER.

AVERTISSEMENT! COUPER LE COURANT AU NIVEAU DES FUSIBLES OU DU DISJONCTEUR.

MOUNTING THE FIXTURE (Fig.1)

1. Shut off power at the fuse box or circuit breaker box and remove the old fixture including the mounting hardware.
2. Carefully unpack your new fixture and lay out all the parts in a clear area. Take care not to misplace any small parts necessary for installation.
3. Position mounting plate (A) so tabs are on the top and bottom. Attach mounting plate (A) to junction box (Not included) with junction box screws (B). Make sure the side of mounting plate (A) marked "GND" must face out.
4. Install (2) two T8 bulbs for 3492 or (3) three T8 bulbs for 3493 up to 60 watts each or CFL or LED equivalent (Not included), in accordance with the fixture specification— **DO NOT EXCEED THE MAXIMUM WATTAGE RATING! (NE PAS DEPASSER LA PUISSANCE NOMINALE MAXIMALE!)**
5. Thread glass shade (E) on fixture body (O). DO NOT over tighten glass shade (E).

CONNECTING THE WIRES (Fig. 2)

6. Connect the electrical wires as shown in Fig. 2. Making sure that all wire connectors are secured. If your junction box has a ground wire (green or bare copper), connect fixture's ground wire to it. Otherwise, connect fixture's ground wire directly to the mounting plate (A) using green screw provided.
7. Tuck wire connections neatly inside the junction box.

FINISHING THE INSTALLATION (Fig.1)

8. Attach backplate (D) to mounting plate (A) and secure with mounting screws (C).

Your installation is now complete. Return power to the junction box and test the fixture.

Note: Illustration (Fig.1) on this manual is for installation purposes only. It may or may not be identical to the fixture purchased.

Fig. 1

Set#A-020-120F
-Mounting Plate
-Ground Screw
-Junction Box Screw x 2

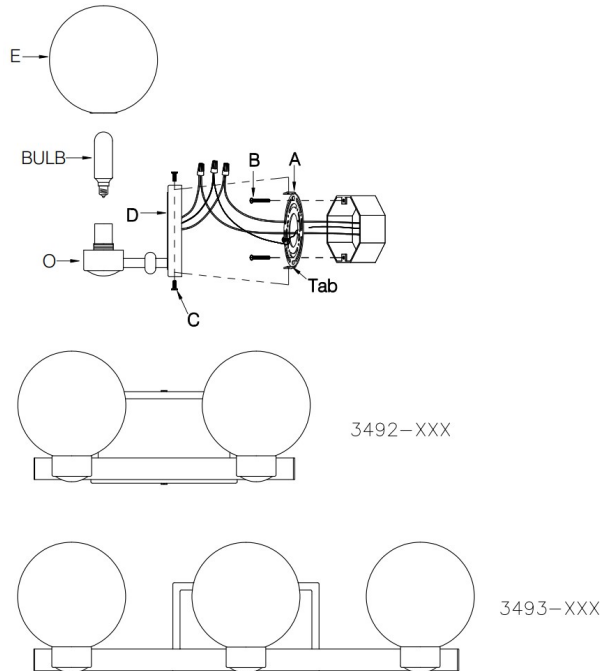


Fig. 2

