

INSTALLATION INSTRUCTIONS

Item#2990/2991/2992/2993-732

READ AND SAVE THESE INSTRUCTIONS

WARNING! SHUT POWER OFF AT FUSE OR CIRCUIT BREAKER.

AVERTISSEMENT! COUPER LE COURANT AU NIVEAU DES FUSIBLES OU DU DISJONCTEUR.

MOUNTING THE FIXTURE (Fig.1)

1. Shut off the power at the circuit breaker and remove the old fixture, including the mounting hardware.
2. Carefully remove the fixture from the carton and check that all parts are included as shown in the illustration.
3. Attach the mounting plate (A) to the junction box (Not included) using the mounting screws (B) (size: 8/32*25mm). The side of the mounting plate (A) marked "GND" must face out.

CONNECTING THE WIRES (Fig. 2)

4. At this point, connect the electrical wires as shown in Fig. 2, making sure that all wire connectors are secured. If your outlet box has a ground wire (green or bare copper), connect the fixture's ground wire to it. Otherwise, connect the fixture's ground wire directly to the mounting plate using the green screw provided. After the wires are connected, tuck them carefully inside the junction box.

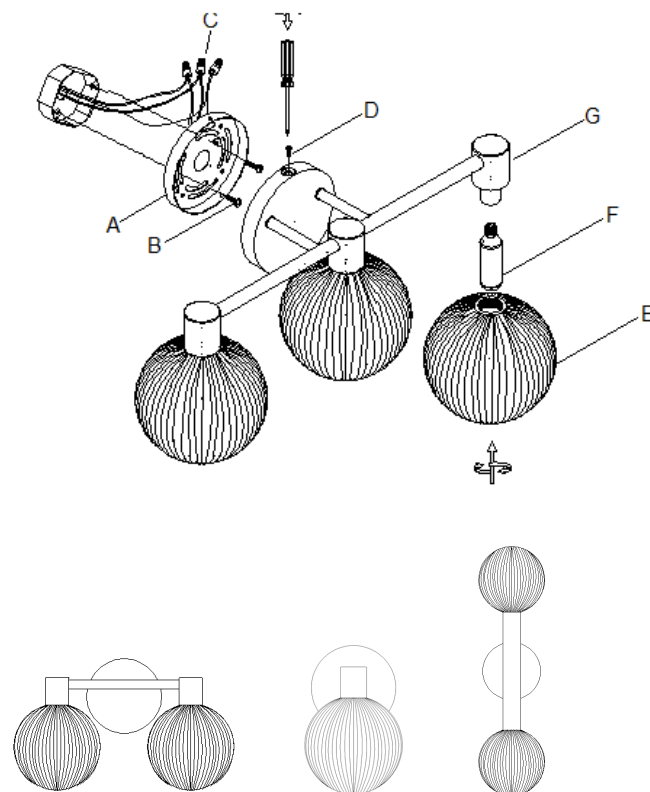
FINISHING THE INSTALLATION (Fig.1)

5. Place fixture body (G) over mounting plate (A) and fasten with screws (D).
6. Install (1) one candelabra base bulb for 2991 or (2) two candelabra base bulbs for 2990 and 2992 or (3) three candelabra base bulbs for 2993 up to 60 watts each or CFL or LED equivalent (not included) in accordance with the fixture specification—**DO NOT EXCEED THE MAXIMUM WATTAGE RATING! (NE PAS DEPASSER LA PUISSANCE NOMINALE MAXIMALE!)**.
7. Gently twist glass shade (E) onto the bottom of fixture body (G). Do not over tighten.

Note: Illustration (Fig.1) on this manual is for installation purposes only. It may or may not be identical to the fixture purchased.

IMPORTANT: FIXTURE SHOULD BE INSTALLED BY A QUALIFIED ELECTRICIAN TO ENSURE PROPER WIRING AND INSTALLATION.

Fig1



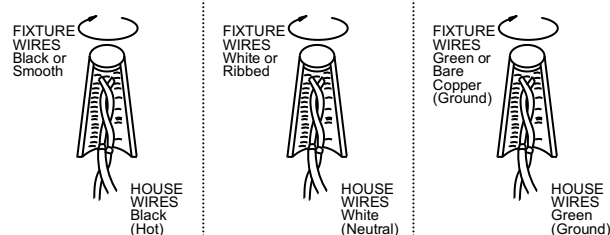
Set#A-022-120 for 2990, 2991, 2992 and 2993-732

-Mounting Plate

-Ground Screw

-Mounting Screw*2

Fig. 2



Your installation is now complete. Return power to the junction box and test the fixture.

