

INSTALLATION INSTRUCTIONS

Item#2682-XXX-L

READ AND SAVE THESE INSTRUCTIONS

WARNING! SHUT POWER OFF AT FUSE OR CIRCUIT BREAKER.

AVERTISSEMENT! COUPER LE COURANT AU NIVEAU DES FUSIBLES OU DU DISJONCTEUR.

MOUNTING THE FIXTURE (Fig.1)

1. Shut off power at the fuse box or circuit breaker box and remove the old fixture including the mounting hardware.
2. Carefully unpack your new fixture and lay out all the parts in a clear area. Take care not to misplace any small parts necessary for installation.
3. Loosening screws (E) to remove the mounting plate (B) from the fixture body (F). Position mounting plate (B) on the wall and mark the location of two drywall anchors (A). Pre-drill the holes for the drywall anchors (A). Insert the drywall anchors (A) into the wall.
4. Attach the mounting plate (B) to the junction box (Not included) using the mounting screws (C). The side of the mounting plate (B) marked "GND" must face out.
5. Thread the wood screws (D) through the holes into the drywall anchor (A) to secure mounting plate (B) as shown in Fig.1.

CONNECTING THE WIRES (Fig. 2)

6. Connect the electrical wires as shown in Fig. 2, making sure that all wire connectors are secured. If your junction box has a ground wire (green or bare copper), connect fixture's ground wire to it. Otherwise, connect fixture's ground wire directly to mounting plate (B) using green screw provided.
7. Tuck wire connectors neatly into the junction box.

FINISHING THE INSTALLATION (Fig.1)

8. Place fixture body (F) over mounting plate (B) and secure with screws (E).

Your installation is now complete. Return power and test the fixture.

Note: Illustration (Fig.1) on this manual is for installation purposes only. It may or may not be identical to the fixture purchased.

Dimmable with ELV and/or LED compatible wall dimmer switches.

Fig. 1

Set#A-021-163117
-Mounting Screw *2
-Ground Screw
-Mounting Plate

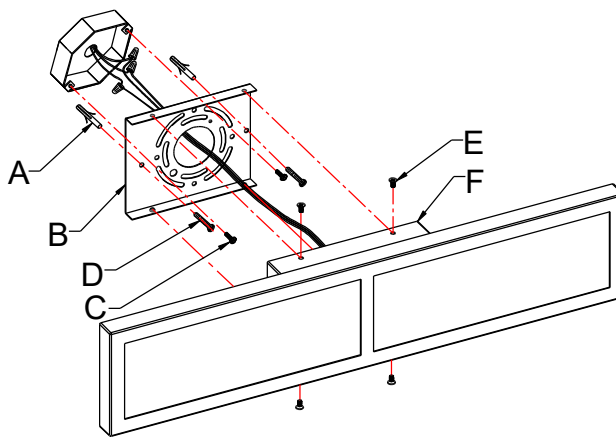


Fig. 2

