

INSTALLATION INSTRUCTIONS

Item#2626-860

READ AND SAVE THESE INSTRUCTIONS

WARNING! SHUT POWER OFF AT FUSE OR CIRCUIT BREAKER.

AVERTISSEMENT! COUPER LE COURANT AU NIVEAU DES FUSIBLES OU DU DISJONCTEUR.

PREPARATION (Fig.1)

1. Shut off power at the fuse box or circuit breaker box and remove the old fixture including the mounting hardware.
2. Carefully unpack your new fixture and lay out all the parts in a clean area. Take care not to misplace any small parts necessary for installation.
3. Attach crossbar assembly to the junction box (not included) with mounting screws (B) (Size: #8-32N*L1/2"). The side of the crossbar (A) with "GND" marked on it and two convex points must face out. The length of nipple (C) into crossbar maybe adjusted if necessary.
4. Decide the preferred hanging height and choose the correct length of chain (H) needed. Feed fixture wire up through the stem (K), distributor box (J) and fixture loop (I), screw stem (K) onto top of frame (O). After tightening stem (K), align the holes of wooden strips (M) which the end mark "a" with the thread on frame (O), secure the wooden strips (M) onto frame (O) with nuts (N). Align the holes of wooden strips (M) which the end mark "b" with the holes of distributor box (J), secure the wooden strips onto distributor box (J) with nuts (L).
5. Attach one quick link (G) to the fixture loop (I) and end of chain (H). Weave fixture wire through chain links. Slip the collar ring (F) and canopy (E) down over end of chain.
6. Raise the fixture up to the ceiling, then connect another end of the chain (H) to ceiling loop (D) with another quick link(G).
7. Feed the wires carefully through ceiling loop (D) and nipple (C).

CONNECTING THE WIRES (Fig. 2)

8. Connect the electrical wires as shown in Fig 2, making sure that all wire connectors are secured. If your junction box has a ground wire (green or bare copper), connect fixture's ground wire to it. Otherwise, connect fixture's ground wire directly to the crossbar (A) using green screw provided.
9. Tuck wire connectors neatly into the junction box.

COMPLETING THE INSTALLATION (Fig. 1)

10. Carefully raise the canopy(E) up to ceiling, screw with collar ring(F).
11. Install (6) six candelabra base bulbs up to 60 watts each or CFL or LED equivalent (not included) in accordance with the fixture specification.—**DO NOT EXCEED THE MAXIMUM WATTAGE RATING! (NE PAS DEPASSER LA PUISSANCE NOMINALE MAXIMALE!)**

Your installation is now complete. Return power to the junction box and test the fixture.

Note: Illustration (Fig. 1) on this manual is for installation purposes only. It may or may not be identical to the fixture purchased.



Fig.1

Set#A-010-C

-Crossbar

-Ground screw

-Mounting screws (2)

Candle cover#CCV20090P-860

Chain#HCH2072-860

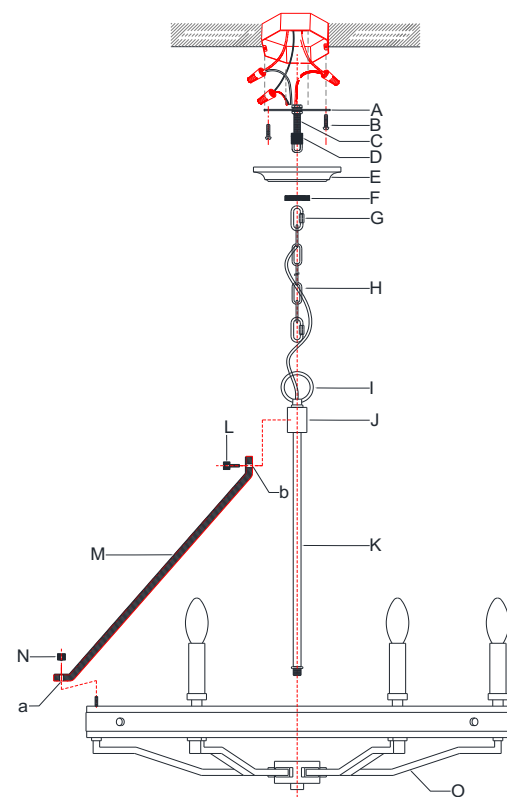
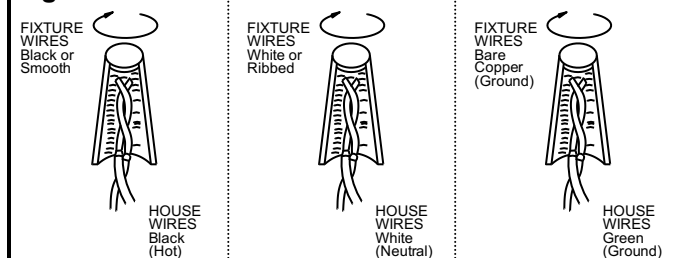


Fig. 2



Notice: It is important to use proper chain pliers (not included) To OPEN and CLOSE the chain included with this fixture. Do not open them with other tools that may twist or stress the chain links. It is important to use proper chain pliers like the ones shown in the diagram.