

INSTALLATION INSTRUCTIONS

Item# 196-732

READ AND SAVE THESE INSTRUCTIONS

WARNING! SHUT POWER OFF AT FUSE OR CIRCUIT BREAKER.

AVERTISSEMENT! COUPER LE COURANT AU NIVEAU DES FUSIBLES OU DU DISJONCTEUR.

PREPARATION (Fig. 1)

1. Shut off power at the fuse box or circuit breaker box and remove the old fixture including the mounting hardware.
2. Carefully unpack your new fixture and lay out all the parts in a clean area. Take care not to misplace any small parts necessary for installation.
3. Loosen mounting screw (D) to remove mounting plate (B) from fixture body (C).
4. Attach mounting plate (B) to junction box (Not included) using outlet box screws (A) (Size: #8-32N*L1"). The side of the mounting plate (B) marked "GND" must face out.

CONNECTING THE WIRES (Fig. 2)

5. Connect the electrical wires as shown in (Fig.2). Making sure that all wire connectors are secured. If your junction box has a ground wire (green or bare copper), connect fixture's ground wire to it. Otherwise, connect fixture's ground wire directly to mounting plate (B) using green screw provided.
6. Tuck wire connectors neatly into the junction box.

COMPLETING THE INSTALLATION (Fig. 1)

7. Place the fixture body (C) to mounting plate (B) and tighten the fixture body (C) using 2 mounting screw (D). Fasten the fixture until held firmly against the wall.
8. Screw glass shade (F) over the socket (E) by using socket ring (G). Do not over tighten.
9. Install (1) one candelabra base bulb (H) up to 40 watts each or CFL or LED equivalent (not included) in accordance with the fixture specification. — **DO NOT EXCEED THE MAXIMUM WATTAGE RATING! (NE PAS DEPASSER LA PUISSANCE NOMINALE MAXIMALE!).**

Your installation is now complete. Return power to the junction box and test the fixture.

Note: Illustration (Fig. 1) on this manual is for installation purposes only. It may or may not be identical to the fixture purchased.

Fig. 1

Set# A-020-118A

- Mounting Plate*1
- Ground Screw*1
- Mounting Screw*2
- Outlet Box Screw*2

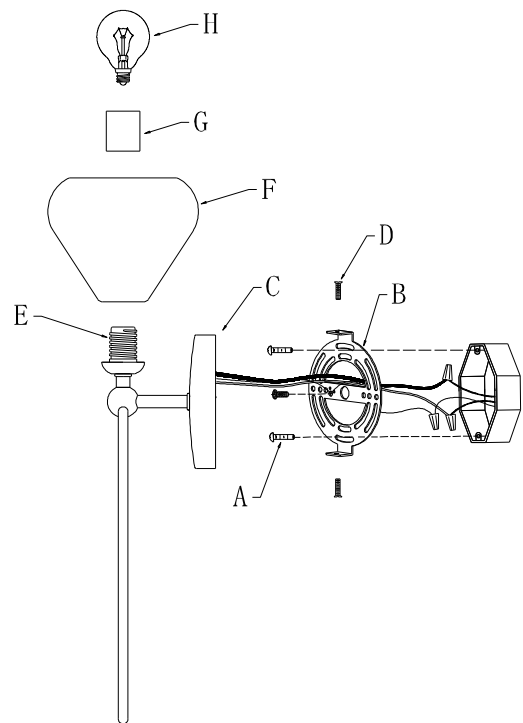


Fig. 2

