

INSTALLATION INSTRUCTIONS

Item#1895-xxx (New. 2024/06/11)

READ AND SAVE THESE INSTRUCTIONS

WARNING! SHUT POWER OFF AT FUSE OR CIRCUIT BREAKER.
VERTISSEMENT! COUPER LE COURANT AU NIVEAU DES FUSIBLES OU DU DISJONCTEUR.

ASSEMBLING THE FIXTURE (Fig. 1)

1. Shut off power at the fuse box or circuit breaker box and remove the old fixture including the mounting hardware.
2. Carefully unpack your new fixture and lay out all the parts in a clean area. Take care not to misplace any small parts necessary for installation.
3. Place arm (R) up against arm on fixture body (O). Tighten screws (T) to secure arm (R) in place. **DO NOT** over tighten. Repeat this step for remaining arms (R). Use Allen wrench (U) provided to ensure the arms are locked. **NOTE: PLEASE ASSEMBLE THE ARM AND GLASS STRICTLY ACCORDING TO THE DIRECTION SHOWN IN THE PICTURE.**
4. Determine the desired hanging height and threads rod (M/N) onto top of fixtures body (O). Carefully feed wires through each rod as you assemble.
5. Push fixture wires up through loop (S). Pull fixture wires taut. Thread loop (S) onto top of last rod.
6. Slip fixture wires through hole in lock collar (F) and through hole in canopy (D).

HANGING THE FIXTURE (Fig. 2)

7. Attach crossbar assembly to junction box (Not included) using junction box screw (B). Make sure the side of crossbar (A) marked "GND" must face out. The length of all thread into crossbar (A) may be adjusted if necessary. Then tighten with hex nuts provided.
8. Thread ceiling loop (E) onto end of all thread (W). Tighten ceiling loop (E) up against first hex nut on all thread (W).
9. Push fixture wires up through hole on ceiling loop (E) attached to crossbar (A) and out end of all thread inside junction box.

CONNECTING THE WIRE (Fig. 3)

10. Connect the electrical wire as shown in Fig.3. Making sure that all wire connectors are secured. If your outlet box has a ground wire (green or bare copper), connect fixtures ground wire to it. Otherwise, connect fixture ground wire directly to the crossbar using green screw provided.
11. Tuck wire connections neatly into the outlet box.

FINISHING THE FIXTURE (Fig.1)

12. Attach lock link (G) to loop (S) on rod and ceiling loop (E).
13. Raise canopy (D) up to ceiling. Pass hole in canopy (D) over ceiling loop (E). Secure canopy (D) to ceiling with lock collar (F).
14. Slip shade (K) and spacer (P) over socket. Secure with socket ring (L).
15. Install (9) nine candelabra base bulbs up to 60 watts each or CFL or LED equivalent (Not included), in accordance with the fixture specification—**DO NOT EXCEED THE MAXIMUM WATTAGE RATING! (NE PAS DEPASSER LA PUISSANCE NOMINALE MAXIMALE!)**.

Fig.1

Set# A-016

-Crossbar
-Ground Screw
-Junction Box Screw x2

Glass# G1894

Wrench# WRH-L-M2

Rod#

-W39-H-894/66A(N-6")
-W39-1-894/66A x3(M-12")

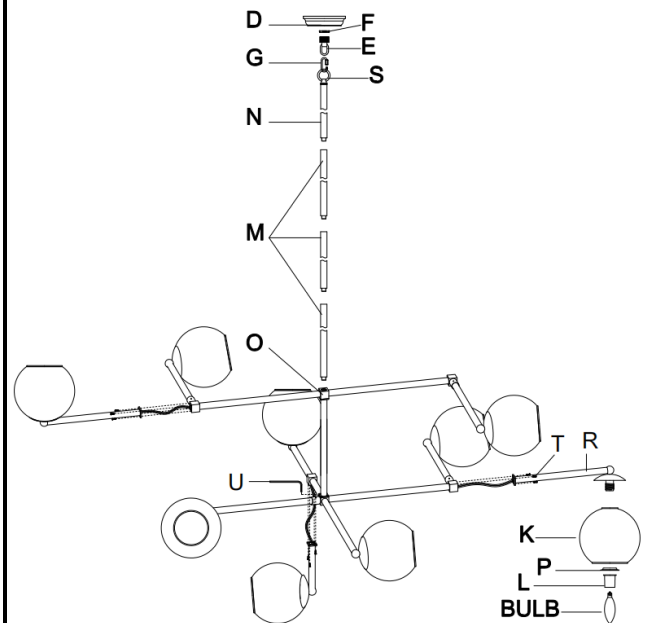
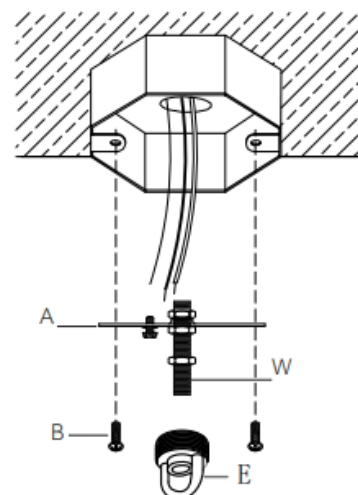


Fig. 2



INSTALLATION INSTRUCTIONS

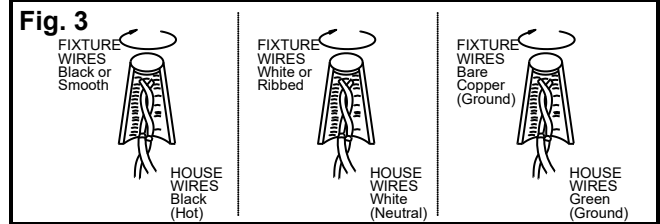
Item#1895-xxx (New. 2024/06/11)

READ AND SAVE THESE INSTRUCTIONS

WARNING! SHUT POWER OFF AT FUSE OR CIRCUIT BREAKER.
VERTISSEMENT! COUPER LE COURANT AU NIVEAU DES FUSIBLES OU DU DISJONCTEUR.

Your installation is now complete. Return power to the outlet box and test the fixture.

Note: Illustration (Fig. 1) on this manual is for installation purposes only. It may or may not be identical to the fixture purchased.



american
lighting
association