

INSTALLATION INSTRUCTIONS

Item#1715-xxx,1716-xxx (New. 2024/06/11)

READ AND SAVE THESE INSTRUCTIONS

WARNING! SHUT POWER OFF AT FUSE OR CIRCUIT BREAKER.
VERTISSEMENT! COUPER LE COURANT AU NIVEAU DES FUSIBLES OU DU DISJONCTEUR.

ASSEMBLING THE FIXTURE (Fig. 1)

1. Shut off power at the fuse box or circuit breaker box and remove the old fixture including the mounting hardware.
2. Carefully unpack your new fixture and lay out all the parts in a clean area. Take care not to misplace any small parts necessary for installation.
3. Hold one arm (M) of fixture so rounded end is at the bottom. Insert rounded end of arm (M) in between tabs on bracket on the inside of ring (O). Align holes in bottom of arm with holes in tabs on bracket.
4. Insert threaded stud (L) into hole in tab, through holes in arm and out hole in the other tab on bracket. Thread cap (N) onto threaded stud (L). Do not tighten threaded cap (N) until top of arm is installed.
5. Insert top slotted end of arm (M) over tab on top of fixture body. Align holes in slotted end of arm with holes in tab.
6. Insert end of threaded stud (L) into one hole in slotted end of arm (M), through holes in tab and out other hole in slotted end of arm (M). Thread cap (N) onto threaded stud (L). Tighten both top and bottom threaded caps (N).
7. Repeat steps 3 through 6 for remaining arms (M).
8. Attach one lock link (G) onto loop (S) on top of fixture.
9. Adjust chain (H) to desired hanging height and use a pair of proper chain pliers to remove and discard excess chain.
10. Attach chain link at end of chain (H) onto lock link(G) on loop (S).
11. Carefully lace fixture's wires through chain (H), skipping every other chain link. Slip lock collar (F) and canopy (D) down over end of chain (H) and fixture wires.

HANGING THE FIXTURE (Fig. 2)

12. Attach crossbar assembly to junction box (Not included) using junction box screw (B). Make sure the side of crossbar (A) marked "GND" must face out. The length of all thread into crossbar (A) may be adjusted if necessary. Then tighten with hex nuts provided.
13. Thread ceiling loop (E) onto all thread (W). Tighten ceiling loop (E) up against first hex nut on all thread (W).
14. Push fixture wires up through hole in ceiling loop (E) attached to crossbar (A) and out end of all thread inside junction box.
15. To aid in connecting fixture wires to house wires, connect another lock link (G) to link at end of chain (H) and ceiling loop (E).

CONNECTING THE WIRE (Fig. 3)

16. Connect the electrical wire as shown in Fig.3. Making sure that all wire connectors are secured. If your outlet box has a ground wire (green or bare copper), connect fixtures ground wire to it. Otherwise, connect fixture ground wire directly to the crossbar using green screw provided.
17. Tuck wire connections neatly into the outlet box.

Fig.1

Set# A-012 for 1715

- Crossbar
- Ground Screw
- Junction Box Screw x2

Set# A-014-B for 1716

- Crossbar
- Ground Screw
- Junction Box Screw x2

Candle Cover#

CCV21103PU-894/66A for 1715

CCV28150PU-894/66A for 1716

Chain#

HCH2072-894/66A for 1715

HCH3072-894/66A for 1716

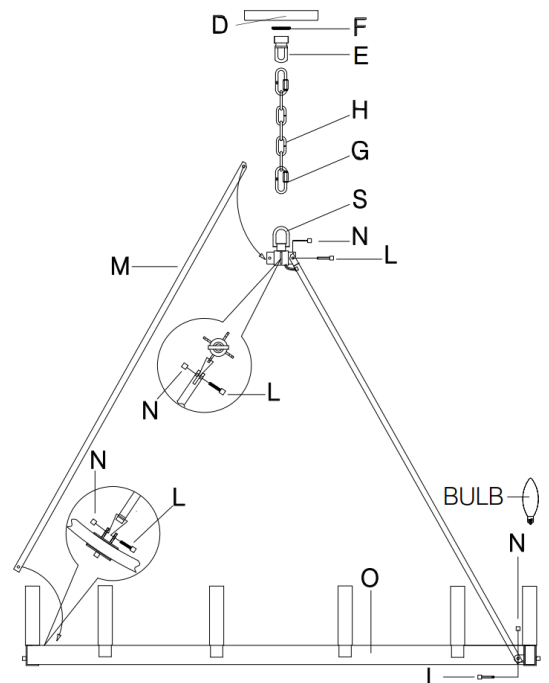
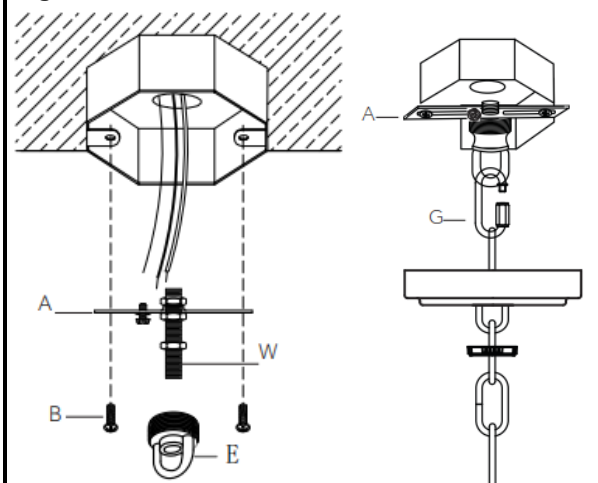


Fig. 2



INSTALLATION INSTRUCTIONS

Item#1715-xxx,1716-xxx (New. 2024/06/11)

READ AND SAVE THESE INSTRUCTIONS

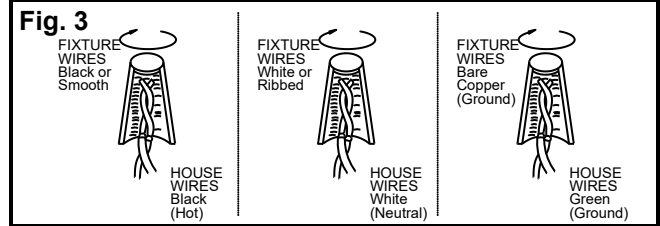
**WARNING! SHUT POWER OFF AT FUSE OR CIRCUIT BREAKER.
VERTISSEMENT! COUPER LE COURANT AU NIVEAU DES FUSIBLES OU DU DISJONCTEUR.**

FINISHING THE FIXTURE (Fig.1)

18. Position canopy (D) up against ceiling. Thread lock collar (F) onto ceiling loop (E). Tighten lock collar (F) to secure fixture to ceiling.
19. Install (6) six candelabra base bulbs for 1715 and (12) twelve candelabra base bulbs for 1716 up to 60 watts each or CFL or LED equivalent (Not included), in accordance with the fixture specification—**DO NOT EXCEED THE MAXIMUM WATTAGE RATING! (NE PAS DEPASSER LA PUISSANCE NOMINALE MAXIMALE!)**.

Your installation is now complete. Return power to the outlet box and test the fixture.

Note: Illustration (Fig. 1) on this manual is for installation purposes only. It may or may not be identical to the fixture purchased.



Notice: It is important to use proper chain pliers (not included) .To OPEN and CLOSE the chain included with this fixture. Do not open them with other tools that may twist or stress the chain links. It is important to use proper chain pliers like the ones shown in the diagram.