

# INSTALLATION INSTRUCTIONS

Item#1704/1705-781

## READ AND SAVE THESE INSTRUCTIONS

**WARNING! SHUT POWER OFF AT FUSE OR CIRCUIT BREAKER.**

**AVERTISSEMENT! COUPER LE COURANT AU NIVEAU DES FUSIBLES OU DU DISJONCTEUR.**

### HANGING THE FIXTURE (Fig. 1)

1. Shut off power at the circuit breaker and remove old fixture including the mounting hardware.
2. Carefully remove the fixture from the carton and check that all parts are included as shown in the illustration.
3. Secure Center Rod (K) to Socket Assembly (M) and Center Connector (H) to Center Rod (K). Pull through any necessary Wire .
4. Thread the bottom of each Rod (L) through the holes on Socket Assembly (M). Secure bottom of Rods (L) with Bottom Caps (P).
5. Secure the top of each Rod (L) to the top of Center Connector (H) with Top Caps (J).
6. Thread Screws (A) into the pre-drilled holes in Crossbar (B) spaced the same distance apart as the holes in Canopy (D). The length of Screws (A) may be adjusted if necessary.
7. Attach Crossbar (B) to Junction Box (W) (Not included) using Mounting Screws (Y) (Size: #8-32N\*L25mm). The side of Crossbar (B) marked "GND" must face out.
8. Determine the desired hanging height and thread rods (F, G) to all thread on top of Center Connector (H). Pass the wires carefully through each rod as you assemble. Secure Rod's (F,G) to all thread of Canopy (D). Pull wires through Canopy (D) as you assemble.

### CONNECTING THE WIRES (Fig. 2)

9. Connect the electrical wires as shown in fig 2, making sure that all Wire Connectors (C) are secured. If your Junction Box (W) has a ground wire (green or bare copper), connect fixture's ground wire to it. Otherwise, connect fixture's ground wire directly to Crossbar (B) using green screw provided.
10. Tuck the wire connectors neatly into Junction Box (W).

### FINISH THE INSTALLATION (Fig. 1)

11. Place Canopy (D) over Screws (A) and secure with Finials (E).
12. Install (4) four medium base bulbs (N) for 1704-781 or (5) five medium base bulbs (N) for 1705-781 up to 60 watts each or CFL or LED equivalent (not included) in accordance with the fixture specification—**DO NOT EXCEED THE MAXIMUM WATTAGE RATING! (NE PAS DEPASSER LA PUISSANCE NOMINALE MAXIMALE!)**.
13. Secure the Center Stem (Q) to bottom of all thread of Socket Assembly (M).
14. Place Metal Washer (T), Rubber Washer (S), Glass (R), Shade Cap (U), and Finial Cap (V) over the bottom of Center Stem (Q).
15. Use Hex Nut (O) to secure Glass (R), Shade Cap (U) and Finial Cap (V). Thread decorative Finial (X) to the bottom of Center Stem (Q). Don't over tighten.

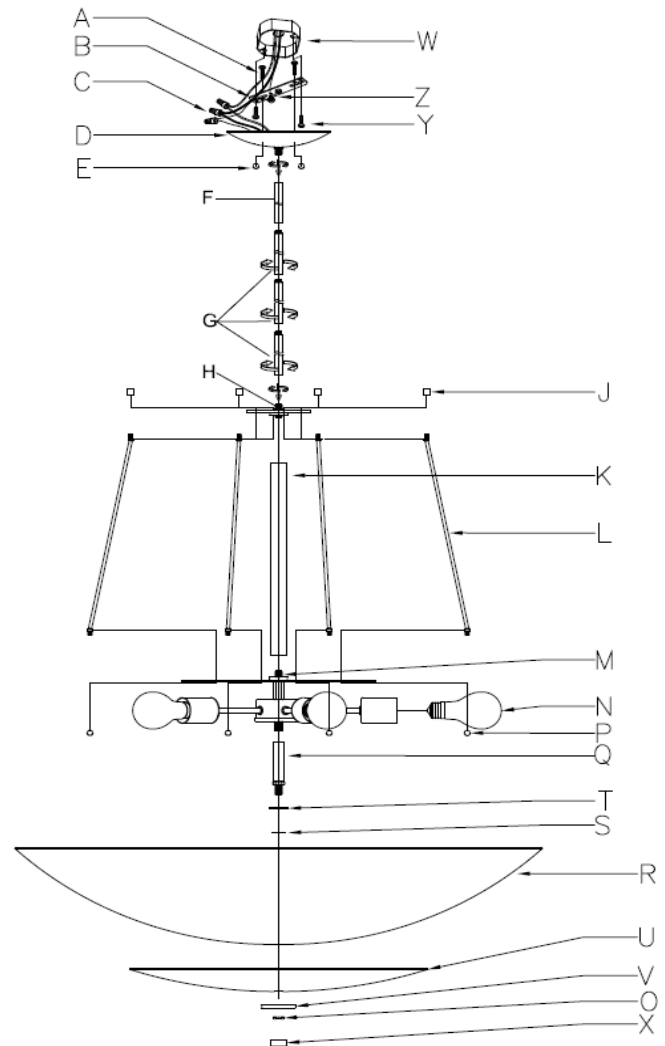
The fixture is over 10 lbs. Please remove the glass before removing canopy from crossbar to inspect wire connections in the future. This will allow you to hold the fixture body during wire connection or inspection or fixture removal.

**Note: Illustration (Fig.1) on this manual is for installation purposes only. It may or may not be identical to the fixture purchased.**

**IMPORTANT: FIXTURE SHOULD BE INSTALLED BY A QUALIFIED ELECTRICIAN TO ENSURE PROPER WIRING AND INSTALLATION.**

Your installation is now complete. Return power to the junction box and test the fixture.

Fig. 1



Set#A-010

- Crossbar
- Ground Screw
- Mounting Screw\*2

1704-781 Glass: G1704 (R)

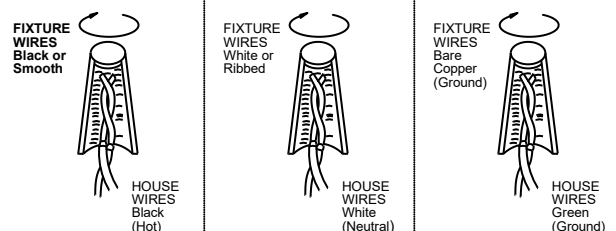
1705-781 Glass: G1705 (R)

Rod:

W30-H-695\*1 (F)

W30-1-695\*3 (G)

Fig. 2



american lighting association