

INSTALLATION INSTRUCTIONS

Item#1466-xxx (New. 2024/06/11)

READ AND SAVE THESE INSTRUCTIONS

WARNING! SHUT POWER OFF AT FUSE OR CIRCUIT BREAKER.
VERTISSEMENT! COUPER LE COURANT AU NIVEAU DES FUSIBLES OU DU DISJONCTEUR.

ASSEMBLING THE FIXTURE (Fig. 1)

1. Shut off power at the fuse box or circuit breaker box and remove the old fixture including the mounting hardware.
2. Carefully unpack your new fixture and lay out all the parts in a clean area. Take care not to misplace any small parts necessary for installation.
3. Align holes on bottom tube 1(O) with holes on bottom tube 2(P). Place ball stud (Q) from the bottom into holes on tube 1(O) and into holes on tube 2(P). Align holes on arm (M) with holes on tube 1(O). Tighten ball stud (Q) to secure in place. Repeat this step for remaining arms (M). Do not completely tighten ball stud (Q).
4. Place V-shaped slice (H) down on top of fixture body (N). Align holes at end of each arm of V-shaped slice(H) with holes in short tube 1 (J) and in short tube 2(K). Screw short screw (I) through each hole in V-shaped slice(H) and into holes on short tube 1(J) and on short tube 2(K).
5. Align holes at end of short tube 1(J) with holes in top of each arm (M). Thread long screw (L) down through each hole at end of short tube 1(J) and into holes in arm (M). DO NOT completely tighten long screws (L). After all arms (M) are attached, completely tighten all ball studs (Q) and long screws (L).
6. Pass fixture wires through hole in V-shaped slice (H) and loop (G). Thread loop (G) onto top of fixture body. Connect one lock link (E) to loop (G). Adjust chain (F) to desired hanging height and use a pair of proper chain pliers to remove and discard excess chain.
7. Carefully lace fixture's wires through chain (F), skipping every other chain link. Push fixture wires through hole in canopy (D). Attach another lock link (E) to last link on chain (F) and to loop on canopy (D).

HANGING THE FIXTURE (Fig. 2)

8. Position mounting plate (A) on the ceiling and mark location of the two mounting holes. Drill the holes on the ceiling and insert the plastic anchors (Y). Attach mounting plate (A) to outlet box (Not included) using junction box screws (B) and wood screws (X) into plastic anchors (Y). Make sure the side of mounting plate (A) marked "GND" must face out.
9. Pull house wires through center hole in mounting plate (A).
10. The support cable is provided to support weight of the fixture while wiring. Align fixture to mounting plate (A) and attach hook on the end of support cable to a slot located on mounting plate (A). Carefully allow support cable to support weight of fixture while wiring.

CONNECTING THE WIRE (Fig. 3)

11. Connect the electrical wire as shown in Fig.3. Making sure that all wire connectors are secured. If your outlet box has a ground wire (green or bare copper), connect fixtures ground wire to it. Otherwise, connect fixture ground wire directly to the mounting plate using green screw provided.
12. Tuck wire connections neatly into the outlet box.

FINISHING THE FIXTURE (Fig.1)

13. Carefully raise fixture up to ceiling. Secure canopy (D) to ceiling with finials (C).

Fig.1

Set# A-022-450105

-Mounting Plate
-Ground Screw
-Junction Box Screw x2
-Plastic Anchor x2
-Wood Screw x2

Chain# HCH2072-894 x2

Candle Cover# CCV21053P-894

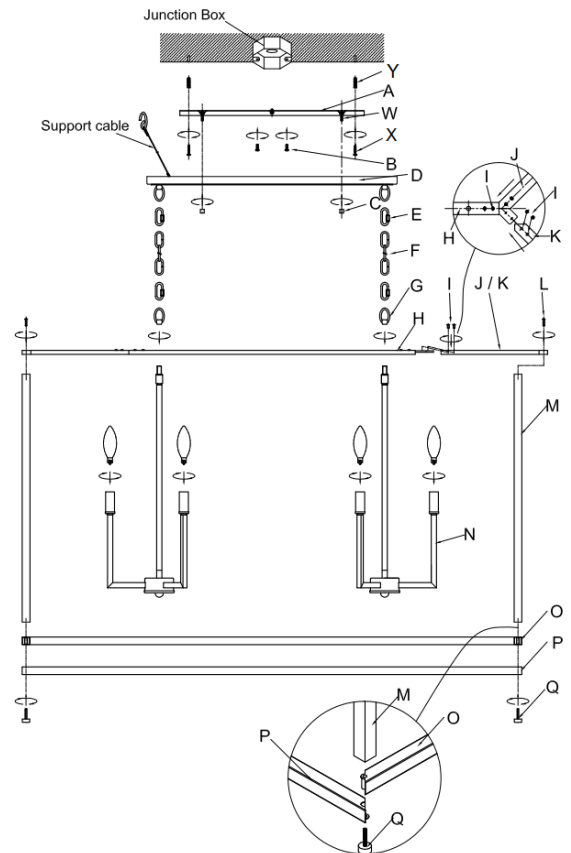
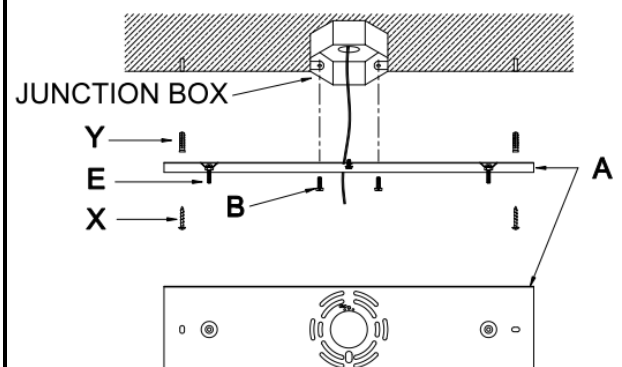


Fig.2



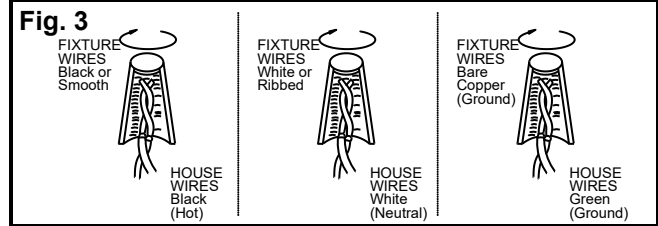
INSTALLATION INSTRUCTIONS

Item#1466-xxx (New. 2024/06/11)

READ AND SAVE THESE INSTRUCTIONS

WARNING! SHUT POWER OFF AT FUSE OR CIRCUIT BREAKER.
VERTISSEMENT! COUPER LE COURANT AU NIVEAU DES FUSIBLES OU DU DISJONCTEUR.

14. Install (6) six candelabra base bulbs up to 60 watts each or CFL or LED equivalent (Not included), in accordance with the fixture specification—**DO NOT EXCEED THE MAXIMUM WATTAGE RATING! (NE PAS DEPASSER LA PUISSANCE NOMINALE MAXIMALE!)**.



Your installation is now complete. Return power to the outlet box and test the fixture.

Note: Illustration (Fig. 1) on this manual is for installation purposes only. It may or may not be identical to the fixture purchased.



Notice: It is important to use proper chain pliers (not included) .To OPEN and CLOSE the chain included with this fixture. Do not open them with other tools that may twist or stress the chain links. It is important to use proper chain pliers like the ones shown in the diagram.