

INSTALLATION INSTRUCTIONS

Item#1464-xxx (New. 2024/06/11)

READ AND SAVE THESE INSTRUCTIONS

WARNING! SHUT POWER OFF AT FUSE OR CIRCUIT BREAKER.
VERTISSEMENT! COUPER LE COURANT AU NIVEAU DES FUSIBLES OU DU DISJONCTEUR.

ASSEMBLING THE FIXTURE (Fig. 1)

1. Shut off power at the fuse box or circuit breaker box and remove the old fixture including the mounting hardware.
2. Carefully unpack your new fixture and lay out all the parts in a clean area. Take care not to misplace any small parts necessary for installation.
3. Align holes on bottom tube 1(R) with holes on bottom tube 2(S). Place ball stud (T) from the bottom into holes on tube 2(S) and into holes in tube 1(R). Align holes on arm (P) with holes tube 1(R). Tighten ball stud (T) to secure in place. Repeat this step for remaining arms (P). Do not completely tighten ball stud (T).
4. Place circle slice (M) down on top of fixture body (Q). Place V-shaped slice (L) down on circle slice (M). Insert threaded stud (K) into hole in V-shaped slice (L) and circle slice (M). Thread cap (N) onto threaded stud (K). Repeat this step for another V-shaped slice.
5. Align holes at end of each arm of V-shaped slice (L) with holes in top of each arm (P). Thread one screw (O) down through each hole in V-shaped slice (L) and into holes in arm (P). DO NOT completely tighten screws (O). After all arms (P) are attached, completely tighten all ball studs (T) and screws (O).
6. Pass fixture wires through hole in circle slice (M), washer (U) and loop (J). Thread washer (U) and loop (J) onto top of fixture body (Q). Connect one lock link (H) to loop (J). Adjust chain (I) to desired hanging height and use a pair of proper chain pliers to remove and discard excess chain.
7. Carefully lace fixture's wires through chain (I), skipping every other chain link. Slip lock collar (G), decorative slice (F) and canopy (D) down over end of chain (I) and fixture wires.

HANGING THE FIXTURE (Fig. 2)

8. Attach crossbar assembly to junction box (Not included) using junction box screw (B). Make sure the side of crossbar (A) marked "GND" must face out. The length of all thread into crossbar (A) may be adjusted if necessary. Then tighten with hex nuts provided.
9. Thread ceiling loop (E) onto all thread (W). Tighten ceiling loop (E) up against first hex nut on all thread (W).
10. Push fixture wires up through hole in ceiling loop (E) attached to crossbar (A) and out the end of all thread inside junction box.
11. To aid in connecting fixture wires to house wires, connect another lock link (H) to link at end of chain (I) and to ceiling loop (E).

CONNECTING THE WIRE (Fig. 3)

12. Connect the electrical wire as shown in Fig.3. Making sure that all wire connectors are secured. If your outlet box has a ground wire (green or bare copper), connect fixtures ground wire to it. Otherwise, connect fixture ground wire directly to the crossbar using green screw provided.
13. Tuck wire connections neatly into the outlet box.

Fig.1

Set# A-016

- Crossbar
- Ground Screw
- Junction Box Screw x2

Candle Cover#
CCV21053P-894

Chain#
HCH2072-894

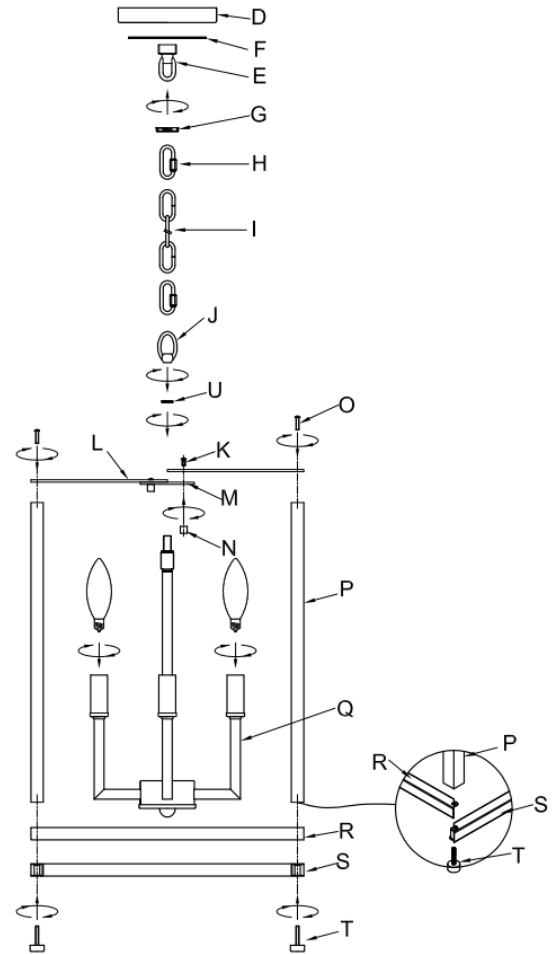
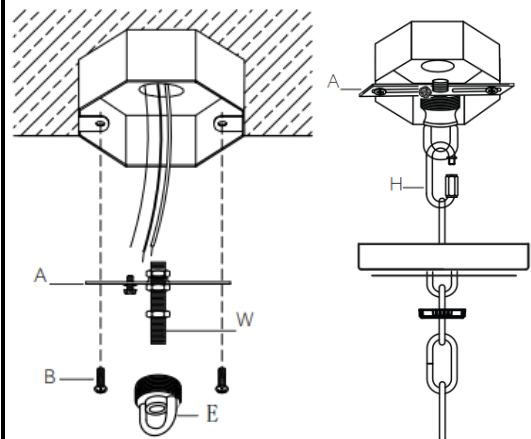


Fig. 2



INSTALLATION INSTRUCTIONS

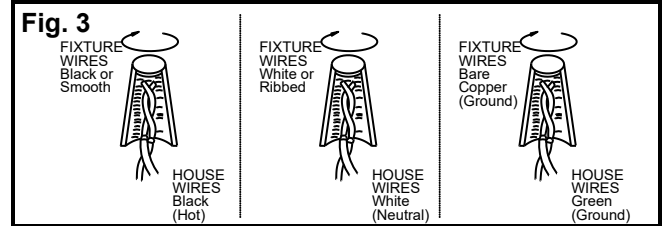
Item#1464-xxx (New. 2024/06/11)

READ AND SAVE THESE INSTRUCTIONS

WARNING! SHUT POWER OFF AT FUSE OR CIRCUIT BREAKER.
VERTISSEMENT! COUPER LE COURANT AU NIVEAU DES FUSIBLES OU DU DISJONCTEUR.

FINISHING THE FIXTURE (Fig.1)

14. Position canopy (D) and decorative plate (F) up against ceiling and secure with lock collar (G).
15. Install (4) four candelabra base bulbs up to 60 watts each or CFL or LED equivalent (not included), in accordance with the fixture specification—**DO NOT EXCEED THE MAXIMUM WATTAGE RATING! (NE PAS DEPASSER LA PUISSANCE NOMINALE MAXIMALE!).**



Your installation is now complete. Return power to the outlet box and test the fixture.

Note: Illustration (Fig. 1) on this manual is for installation purposes only. It may or may not be identical to the fixture purchased.



Notice: It is important to use proper chain pliers (not included). To OPEN and CLOSE the chain included with this fixture. Do not open them with other tools that may twist or stress the chain links. It is important to use proper chain pliers like the ones shown in the diagram.