

INSTALLATION INSTRUCTIONS

Item#1459-XXX (New.11/30/2023)

READ AND SAVE THESE INSTRUCTIONS

WARNING! SHUT POWER OFF AT FUSE OR CIRCUIT BREAKER.

AVERTISSEMENT! COUPER LE COURANT AU NIVEAU DES FUSIBLES OU DU DISJONCTEUR.

PREPARATION (Fig. 1)

1. Shut off power at the fuse box or circuit breaker box and remove the old fixture including mounting hardware.
2. Carefully unpack your new fixture and lay out all the parts in a clean area. Take care not to misplace any small parts necessary for installation.

ASSEMBLING THE FIXTURE WITH CHAIN LOOP (Fig.1)

3. Secure tube (J) into all thread (I) of fixture body, pass wires carefully through metal tube as you assemble.
4. Determine the desired hanging height and thread rods (F1, F2 and F3) to all thread of tube (J). Then attach loop (H1) by threading it to rod (F1).
5. Carefully pass wires through each rod as you assemble.
6. Attach quick link (G) connect to loop (H1) and loop (H2) on canopy (D).
7. Carefully feed wire over loop (H1), quick link (G) and loop (H2).
8. Thread screws (A) into the pre-drilled holes in circular strap (B) spaced same distance apart as holes in canopy (D). The length of screws (A) may be adjusted if necessary.
9. Attach circular strap (B) to junction box (Not included) with mounting screws (C) (Size: #8-32N*L0.5"). The side of circular strap (B) marked "GND" must face out.
10. The support cable is provided to support the weight of fixture while wiring. Align fixture to circular strap (B) and attach hook (P) on the end of support cable (K) into a slot located on circular strap (B). Carefully allow support cable (K) to support weight of fixture while wiring (Fig.1)

CONNECTING THE WIRES (Fig. 2)

11. Connect the electrical wires as shown in Fig 2, making sure that all wire connectors are secured. If your outlet has a ground wire (green or bare copper), connect the fixture's ground wire to it. Otherwise, connect fixture's ground wire directly to circular strap using green screw provided.
12. Tuck wire connectors neatly into junction box and raise canopy all the way to ceiling.

COMPLETING THE INSTALLATION (Fig. 1)

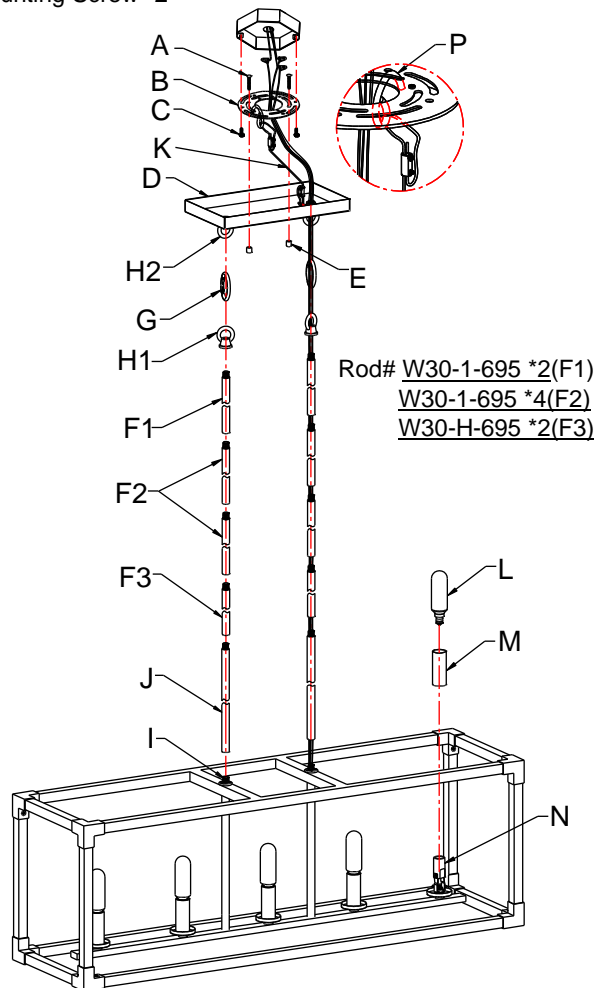
13. Thread screws (A) into canopy (D), and secure with knobs (E).
14. Place candle covers (M) over sockets (N) of fixture body.
15. Install (5) five candelabra base bulbs (L) up to 60 watts each or CFL or LED equivalent (not included) in accordance with the fixture specification. — **DO NOT EXCEED THE MAXIMUM WATTAGE RATING! (NE PAS DEPASSER LA PUISSANCE NOMINALE MAXIMALE!)**

Your installation is now complete. Return power to the junction box and test the fixture.

Note: Illustration (Fig. 1) on this manual is for installation purposes only. It may or may not be identical to the fixture purchased.

Fig. 1

Set# A-020-A
-Circular Strap
-Ground Screw
-Mounting Screw *2



Rod# W30-1-695 *2(F1)
W30-1-695 *4(F2)
W30-H-695 *2(F3)

Candle cover# CCV21055P-695

Fig. 2

