

INSTALLATION INSTRUCTIONS

Item#1457-695 (New. 2024/02/19)

READ AND SAVE THESE INSTRUCTIONS

WARNING! SHUT POWER OFF AT FUSE OR CIRCUIT BREAKER.

AVERTISSEMENT! COUPER LE COURANT AU NIVEAU DES FUSIBLES OU DU DISJONCTEUR.

PREPARATION (Fig. 1)

1. Shut of power at the fuse box or circuit breaker box and remove the old fixture including the mounting hardware.
2. Carefully unpack your new fixture and lay out all the parts in a clean area. Take care not to misplace any small parts necessary for installation.

ASSEMBLING THE FIXTURE AND HANGING THE FIXTURE (Fig.1)

3. Secure rod (E) onto the all thread (F) on the fixture body. Pass the wires carefully through rod (E) as you assemble.
4. Adjust the fixture chain (N) to your desired length by removing the links if needed. You may need to use pliers (not included) to open the chain links. If so, put a cloth over the chain to protect the finish from the pliers.
5. Connect the chain (N) to the loop (H2) by using the quick links (G). Connect the chain (N) to the fixture loop (H1) by using the quick links (G).
6. Carefully feed the fixture wires through the chain (N), loop (H2) and canopy (C) and pull tight.
7. Attach mounting plate (A) using mounting screws (B) (Size: #8-32N*L0.5") to junction box (not included). The side of the mounting plate (A) marked "GND" must face out.

CONNECTING THE WIRES (Fig. 2)

8. Connect the electrical wires as shown in fig 2, making sure that all wire connectors are secured. If your junction box has a ground wire (green or bare copper), connect the fixture's ground wire to it. Otherwise, connect the fixture's ground wire directly to the mounting plate (A) using the green screw provided.
9. Tuck the wire connectors neatly into the junction box .

COMPLETING THE INSTALLATION (Fig. 1)

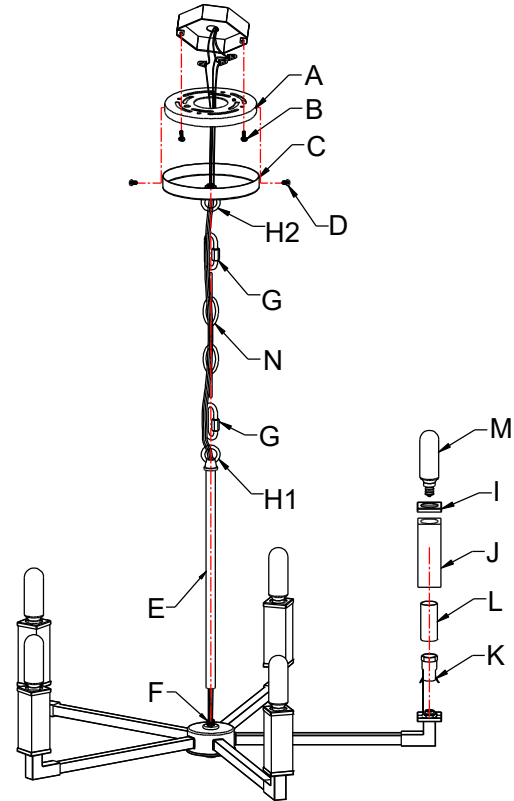
10. Align canopy (C) over the mounting plate (A) and secure with screws (D).
11. Place the candle cover (L), crystals (J) and metal cover (I) over the sockets (K).
12. Install (5) five candelabra base bulbs (M) up to 60 watts each or CFL or LED equivalent (not included) in accordance with the fixture specification—**DO NOT EXCEED THE MAXIMUM WATTAGE RATING! (NE PAS DEPASSER LA PUISSANCE NOMINALE MAXIMALE!)**

Your installation is now complete. Return power to the junction box and test the fixture.

Note: Illustration (Fig. 1) on this manual is for installation purposes only. It may or may not be identical to the fixture purchased.

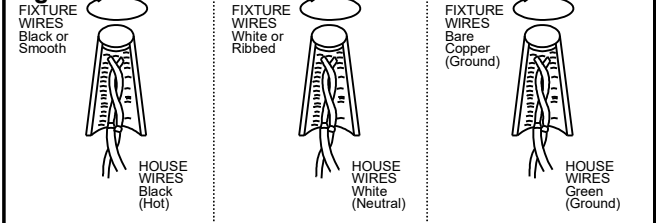
Fig. 1

Set# A-021-118DH
 -mounting plate
 -Ground Screw
 -Mounting Screw*2



Candle Cover#CCV21085P-77
 Chain# HCH2072-695

Fig. 2



Notice: It is important to use proper chain pliers (not included) To OPEN and CLOSE the chain included with this fixture. Do not open them with other tools that may twist or stress the chain links. It is important to use proper chain pliers like the ones shown in the diagram.

