

INSTALLATION INSTRUCTIONS

Item# 141-899

READ AND SAVE THESE INSTRUCTIONS

WARNING! SHUT POWER OFF AT FUSE OR CIRCUIT BREAKER.

AVERTISSEMENT! COUPER LE COURANT AU NIVEAU DES FUSIBLES OU DU DISJONCTEUR.

1. Shut off power at the fuse box or circuit breaker box and remove the old fixture including the mounting hardware.

2. Carefully unpack your new fixture and lay out all the parts in a clean area. Take care not to misplace any small parts necessary for installation.

ASSEMBLING THE FIXTURE (Fig.1)

3. Remove mounting screw (D) from canopy (C) and detach the mounting plate (A).

4. Attach mounting plate (A) to junction box (Not included) using junction box screw (B). The side of mounting plate (A) marked "GND" must face out. Determine desired hanging height by pressing restrainer (F) on canopy (C) and pass wires carefully through canopy (C) as you assemble.

5. The support cable is provided to support the weight of the fixture while wiring. Align the fixture to mounting plate (A) and attach hook (K) on end of support cable (J) into a slot located on mounting plate (A). Carefully allow the support cable (J) to support the weight of the fixture while wiring.

CONNECTING THE WIRES (Fig. 2)

6. Connect electrical wires as shown in Fig.2, making sure that all wire connectors are secured. If your junction box has a ground wire (green or bare copper), connect fixture's ground wire to it. Otherwise, connect ground wire directly to mounting plate (A) using green screw provided.

7. Tuck wire connectors neatly into the junction box.

COMPLETING THE INSTALLATION (Fig. 1)

8. Place canopy (C) to the ceiling and secure with mounting screw (D)

9. Install (1) one candelabra base bulb (I) up to 60 watts each or CFL or LED equivalent (Not included) in accordance with the fixture specification.

— **DO NOT EXCEED THE MAXIMUM WATTAGE RATING! (NE PAS DEPASSER LA PUISSANCE NOMINALE MAXIMALE!).**

10. Thread glass shade (H) over socket on fixture body (G). Do not over tighten.

Your installation is now complete. Return power to the junction box and test the fixture.

Note: Illustration (Fig. 1) on this manual is for installation purposes only. It may or may not be identical to the fixture purchased.

IMPORTANT: FIXTURE SHOULD BE INSTALLED BY A QUALIFIED ELECTRICIAN TO ENSURE PROPER WIRING AND INSTALLATION.

Fig.1

Set#A-020-118A

-mounting Plate

-Ground Screw

-Junction Box Screw *2

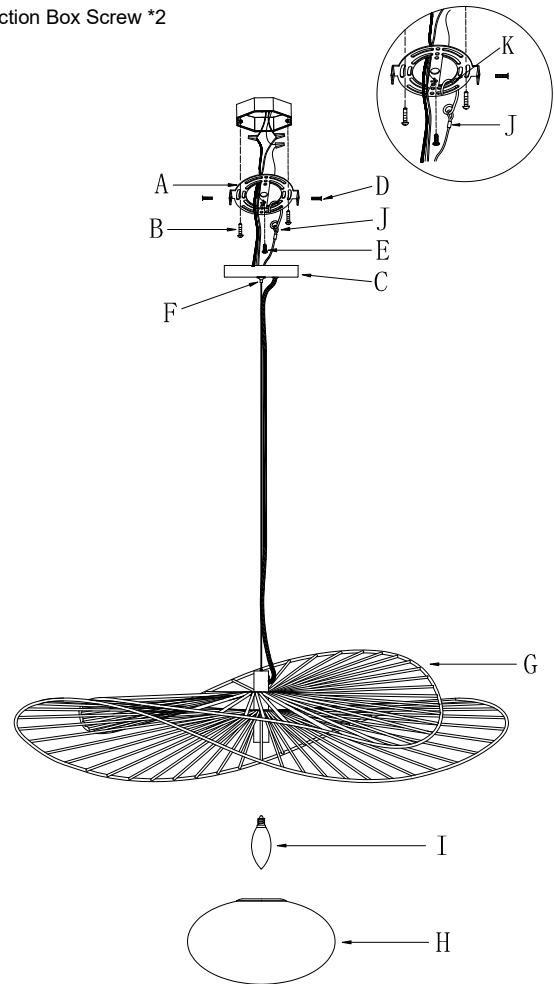


Fig. 2

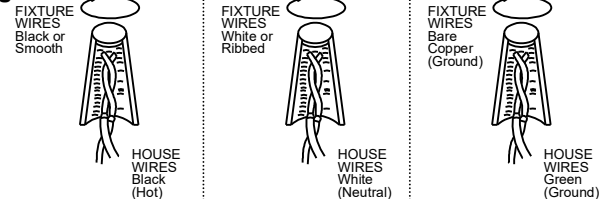
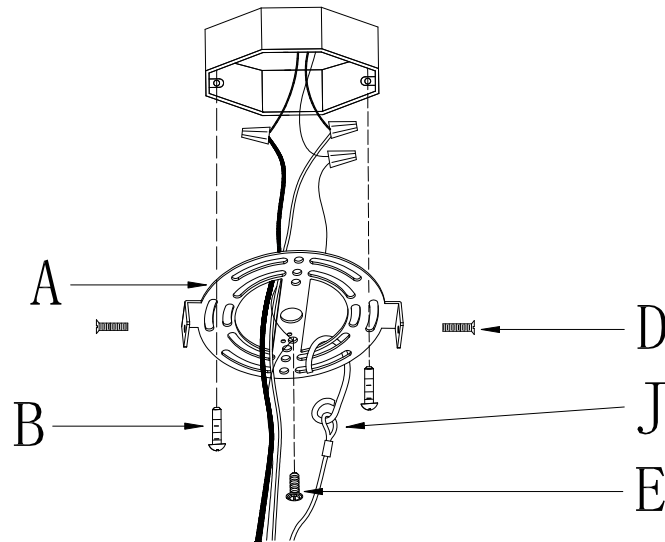


Fig.3



a. Hardware Bag:

- A. Mounting Plate *1
- B. Junction Box Screw *2
- D. Mounting Screw *2
- E. Ground Screw *1

