

INSTALLATION INSTRUCTIONS

Item#131-782

READ AND SAVE THESE INSTRUCTIONS

WARNING! SHUT POWER OFF AT FUSE OR CIRCUIT BREAKER.

AVERTISSEMENT! COUPER LE COURANT AU NIVEAU DES FUSIBLES OU DU DISJONCTEUR.

1. Shut off power at the fuse box or circuit breaker box and remove the old fixture including the mounting hardware.
2. Carefully unpack your new fixture and lay out all the parts in a clean area. Take care not to misplace any small parts necessary for installation.

ASSEMBLING THE FIXTURE (Fig.1)

3. Loosen finial (D) to remove from mounting screw (F). Thread two mounting screws (F) into mounting plate (A) spaced the same distance apart as the holes on canopy (C). (You can adjust the length of screws if necessary.)
4. Attach mounting plate (A) to the junction box (Not included) using two junction box screws (B). The side of mounting plate (A) marked "GND" must face out. The length of mounting screw (F) into mounting plate (A) maybe adjusted if necessary.
5. Place glass shade (L) over fixture body (K). Making the bottom of the glass to sit on the hooks of fixture body (K).
6. Determine desired hanging height and thread rods (J/I) to coupling on fixture body (K). Then attach fixture loop (G) by threading into rod (I/J). Carefully feed wires through each rod as you assemble.
7. Attach quick link (H) to fixture loop (G) and loop on canopy (C).
8. The support cable is provided to support the weight of the fixture while wiring. Align the fixture to mounting plate (A) and attach hook (O) on end of support cable (N) into a slot located on mounting plate (A). Carefully allow the support cable (N) to support the weight of the fixture while wiring.

CONNECTING THE WIRES (Fig. 2)

9. Connect electrical wires as shown in Fig.2, making sure that all wire connectors are secured. If your junction box has a ground wire (green or bare copper), connect fixture's ground wire to it. Otherwise, connect ground wire directly to mounting plate (A) using green screw provided.
10. Tuck wire connectors neatly into the junction box.

COMPLETING THE INSTALLATION (Fig. 1)

11. Place canopy (C) to the ceiling and secure with the two finials (D).
12. Install (1) one medium base bulb (M) up to 60 watts each or CFL or LED equivalent (Not included) in accordance with the fixture specification. **—DO NOT EXCEED THE MAXIMUM WATTAGE RATING! (NE PAS DEPASSER LA PUISSANCE NOMINALE MAXIMALE!).**

Your installation is now complete. Return power to the junction box and test the fixture.

Note: Illustration (Fig. 1) on this manual is for installation purposes only. It may or may not be identical to the fixture purchased.

IMPORTANT: FIXTURE SHOULD BE INSTALLED BY A QUALIFIED ELECTRICIAN TO ENSURE PROPER WIRING AND INSTALLATION.

Fig.1

Set#A-020
-Mounting Plate
-Ground Screw
-Junction Box Screw *2
Rod#
W32-H-732 (I-6")
W32-1-732 X 3 (J-12")

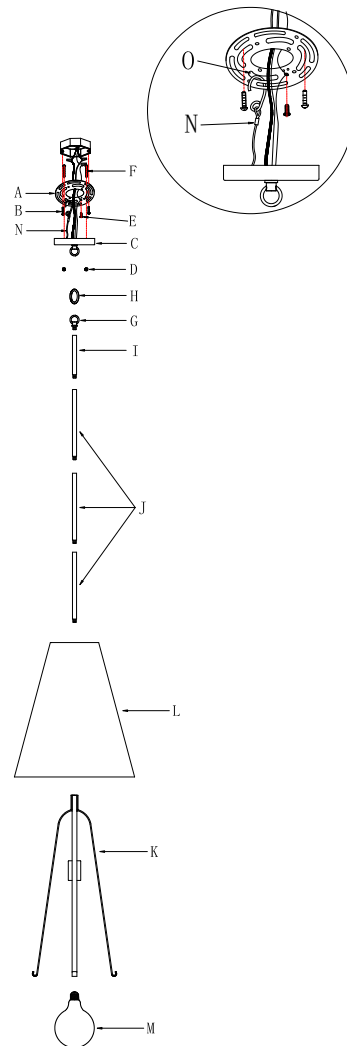


Fig. 2

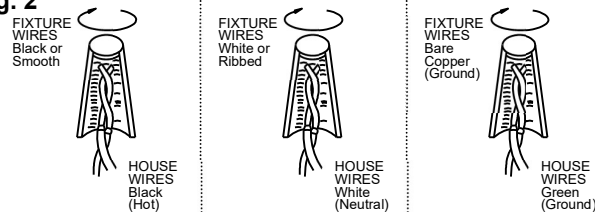
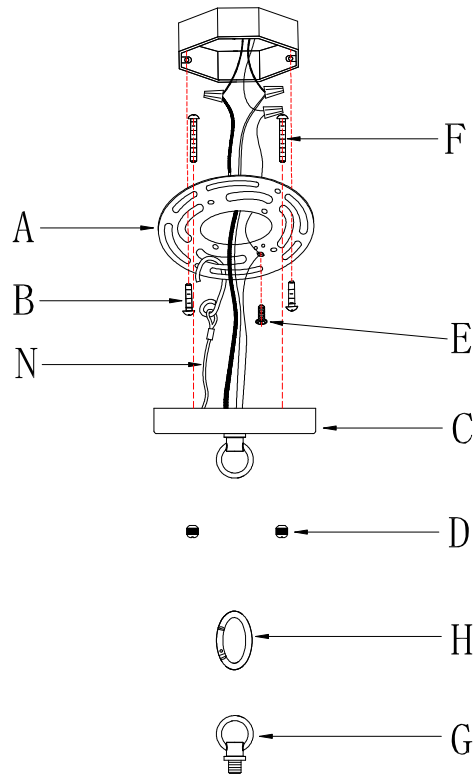
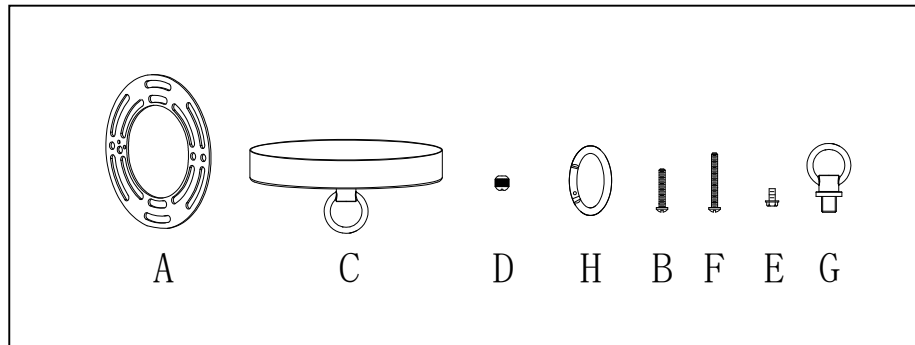


Fig.3



a. Hardware Bag:

- A. Mounting Plate *1
- B. Junction Box Screw *2
- C. Canopy *1
- D. Finial *2
- E. Ground Screw *1
- F. Mounting Screw *2
- G. Fixture Loop *1
- H. Quick Link *1



b. Hardware Bag:

- J. ROD 12"*3
- I. ROD 6"*1

